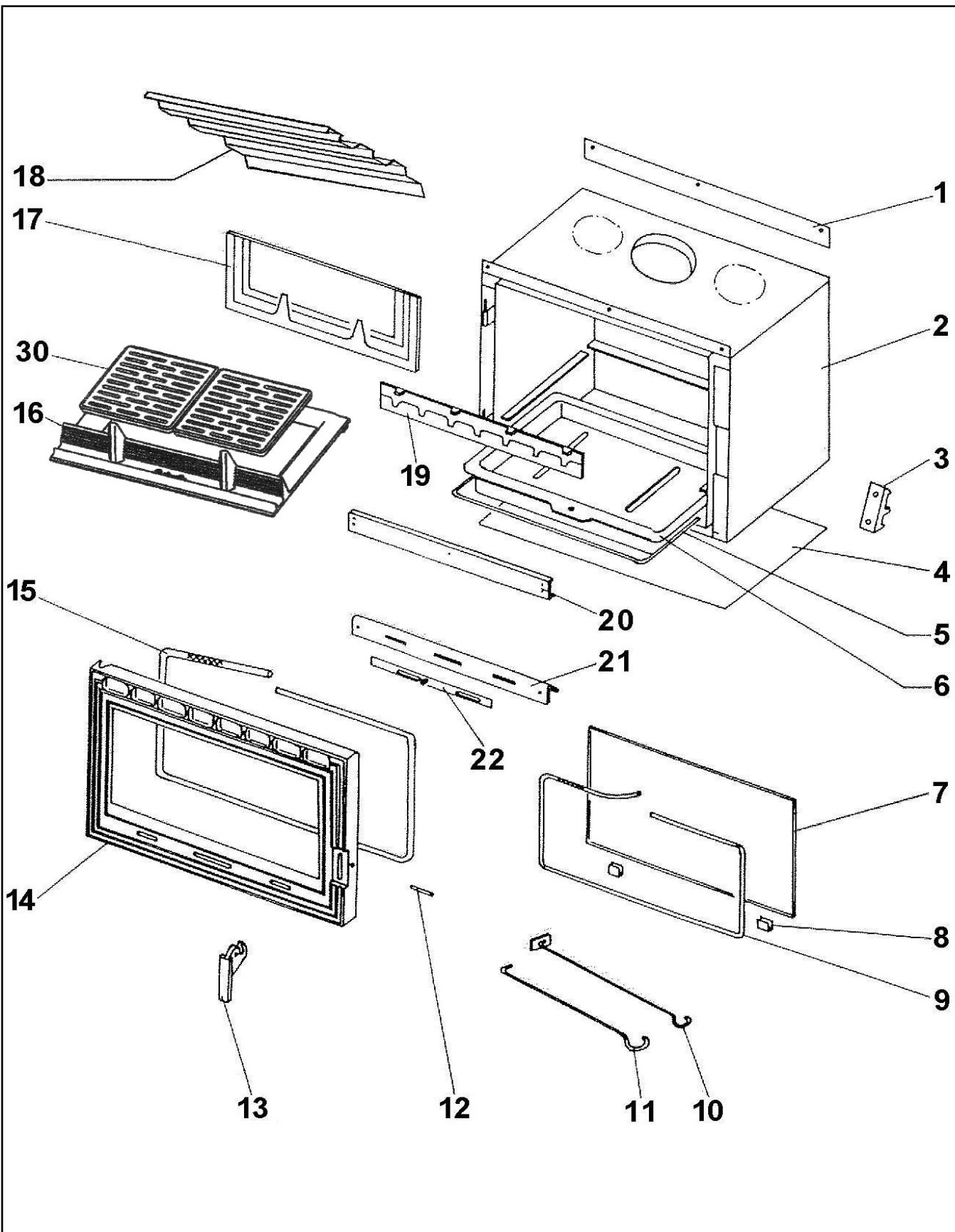


INSERT BOIS - 9 KW
PORTE GRISE C07856.PT09
PORTE CHROMEE C07856.PT11 - PORTE LAITONNEE C07856.PT12



Eclaté

INSERT BOIS - 9 KW
PORTE GRISE C07856.PT09
PORTE CHROMEE C07856.PT11 - PORTE LAITONNEE C07856.PT12

| REP. | DESIGNATION | REF. PIECE | 1ère URG | REP. | DESIGNATION | REF. PIECE | 1ère URG |
|------|---|-----------------|----------|------|-------------|------------|----------|
| 1 | Plaque obturatrice | P0028147/P09E | | | | | |
| 2 | Ens. corps soudé | P0034296 | | | | | |
| 3 | Verrou de porte | P0T18055 | | | | | |
| 4 | Ecran | P0028062 | | | | | |
| 5 | Anse de cendrier | P0020075 | | | | | |
| 6 | Cendrier | P0019785 | | | | | |
| 7 | Verre de porte | P0028063 | X | | | | |
| 8 | Profilé entretoise - prof. 30/10 (0,02 m) | P0023047 | | | | | |
| 9 | Tresse - Ø6 - noire | D0045937 | | | | | |
| 10 | Raclette | P0013447 | | | | | |
| 11 | Poignée tisonnier | P0045661 | | | | | |
| 12 | Goupille cannelée - ISO 8745 - 8-24 | P0027091 | | | | | |
| 13 | Clenche | AC P0T20337 | | | | | |
| | Clenche chromée | B P0G20337/11 | | | | | |
| 14 | Porte fonte | A P0T28006/P06B | | | | | |
| | Porte fonte chromée | B P0G28006/11 | | | | | |
| | Porte fonte laitonée | C P0T28006/12 | | | | | |
| 15 | Tresse - Ø15 - noire | D0045928 | | | | | |
| 16 | Corbeille de foyer | P0047502 | X | | | | |
| 17 | Plaque arrière | P0020180 | X | | | | |
| 18 | Déflexeur | P0047202 | | | | | |
| 19 | Avaloir usiné | P0U20181 | | | | | |
| 20 | Guide d'air | P0028061/P09E | | | | | |
| 21 | Support volet | P0028060 | | | | | |
| 22 | Ensemble volet | P0020120/P09E | | | | | |
| 30 | Grille (2) | P0045915 | X | | | | |
| | | | | | | | |

A: C07856.PT09

B: C07856.PT11

C: C07856.PT12