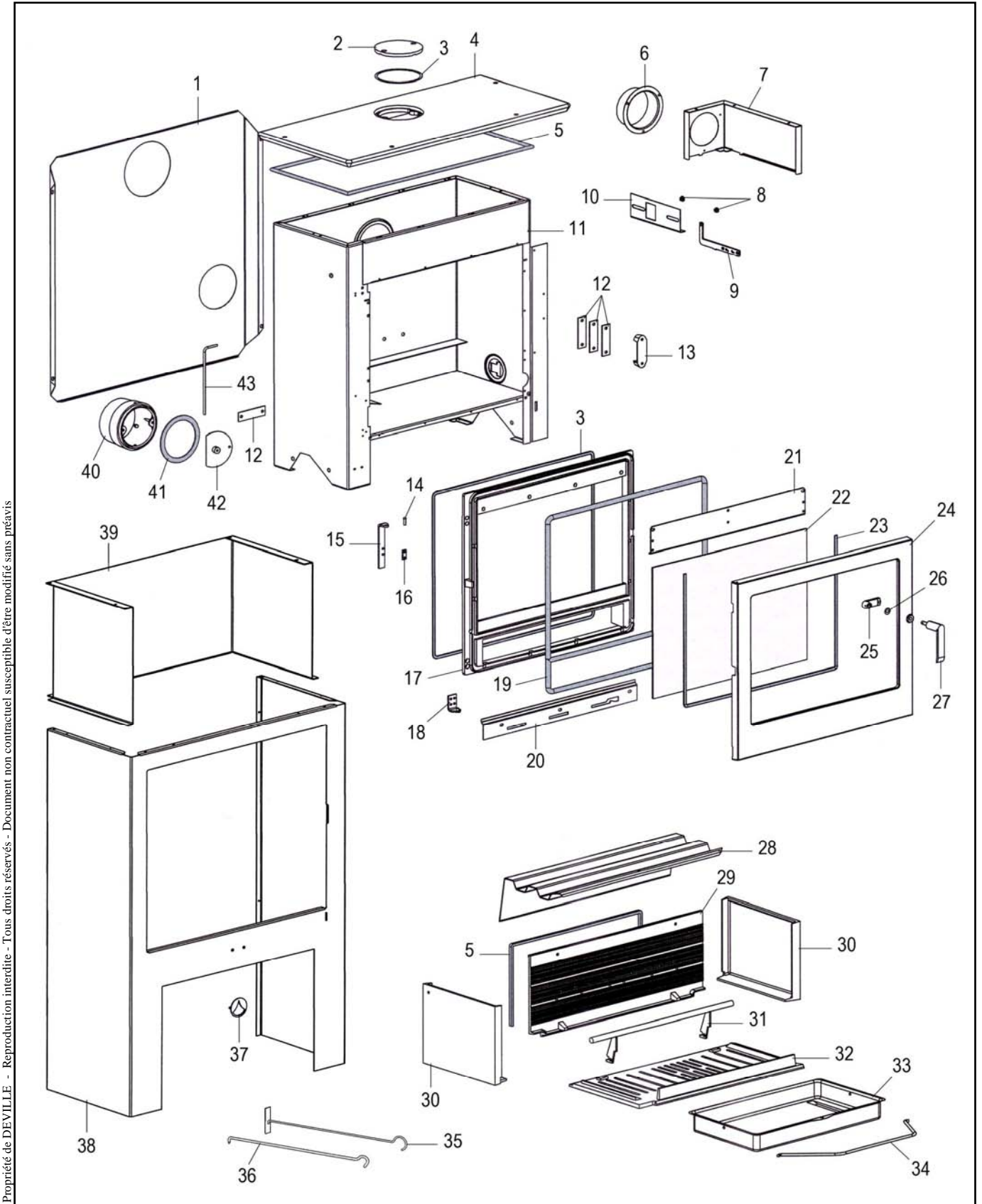


**POELE BOIS NEPTUNE 2
 NOIR C077AS.06**



Propriété de DEVILLE - Reproduction interdite - Tous droits réservés - Document non contractuel susceptible d'être modifié sans préavis

**POELE BOIS NEPTUNE 2
NOIR C077AS.06**

| REP. | DESIGNATION | REF. PIECE | 1ère URG. | REP. | DESIGNATION | REF. PIECE | 1ère URG. |
|------|---------------------------------|---------------|-----------|------|-------------------------------------|---------------|-----------|
| 1 | Plaque arrière de protection | P0052939 | | 33 | Cendrier | P0020306 | |
| 2 | Tampon de buse | P0T11271/P06S | | 34 | Anse de cendrier | P0020105 | |
| 3 | Joint de verre (2,27 m) | P0031148 | X | 35 | Raclette | P0013447 | |
| 4 | Dessus | P0T52827/P06S | | 36 | Poignée tisonnier | P0045661 | |
| 5 | Kit tresse - Ø8 - Noir | D0045938 | X | 37 | Logo | P0051481 | |
| 6 | Buse - Ø100 | P0052141 | | 38 | Décor | P0052941/P06S | |
| 7 | Boîte de raccordement | P0052933 | | 39 | Niche | P0052940/P06S | |
| 8 | Entretoise (2) | P0046395 | | 40 | Buse mixte - Ø125/120 | P0T53071 | |
| 9 | Commande | P0052936/P06S | | 41 | Joint de buse | P0022865 | X |
| 10 | Volet d'air | P0052935 | | 42 | Ens. volet de buse | P0053061 | |
| 11 | Ens. châssis | P0052930 | | 43 | Commande de volet de buse | P0053064 | |
| 12 | Cale de gâche (4) | P0020205 | | - | Profilé entretoise - 12/10 (0,02 m) | P0019306 | |
| 13 | Gâche | P0T20048 | | - | Goupille élastique - E 3-14 | P0777314 | |
| 14 | Rivet TR - 5-17 | P0018753 | | - | Goupille fendue - V 2-20 (2) | P0779220 | |
| 15 | Charnière | P0052952/P06S | | - | Ecrou frein - M4 - Zingué (2) | D0026782 | |
| 16 | Ecrou double - M5 | P0011705 | | | | | |
| 17 | Façade | P0T52925 | | | | | |
| 18 | Ens. charnière | P0052288/P06S | | | | | |
| 19 | Kit tresse - Ø11 - Noir | D0045939 | X | | | | |
| 20 | Support volet | P0050915 | | | | | |
| 21 | Guide d'air | P0050910/P06P | | | | | |
| 22 | Verre de porte | P0052927 | X | | | | |
| 23 | Kit tresse - Ø6 - Noir | D0045937 | X | | | | |
| 24 | Porte | P0T52926/P06S | | | | | |
| 25 | Verrou | P0T16569 | | | | | |
| 26 | Rondelle élastique ondulée - Ø8 | P0018504 | | | | | |
| 27 | Poignée de porte | P0051748 | | | | | |
| 28 | Déflexeur | P0053060 | X | | | | |
| 29 | Plaque arrière de foyer usinée | P0U50878 | X | | | | |
| 30 | Plaque latérale (2) | P0027652 | X | | | | |
| 31 | Ens. chenet | P0051790/P06B | X | | | | |
| 32 | Corbeille | P0T51768 | X | | | | |