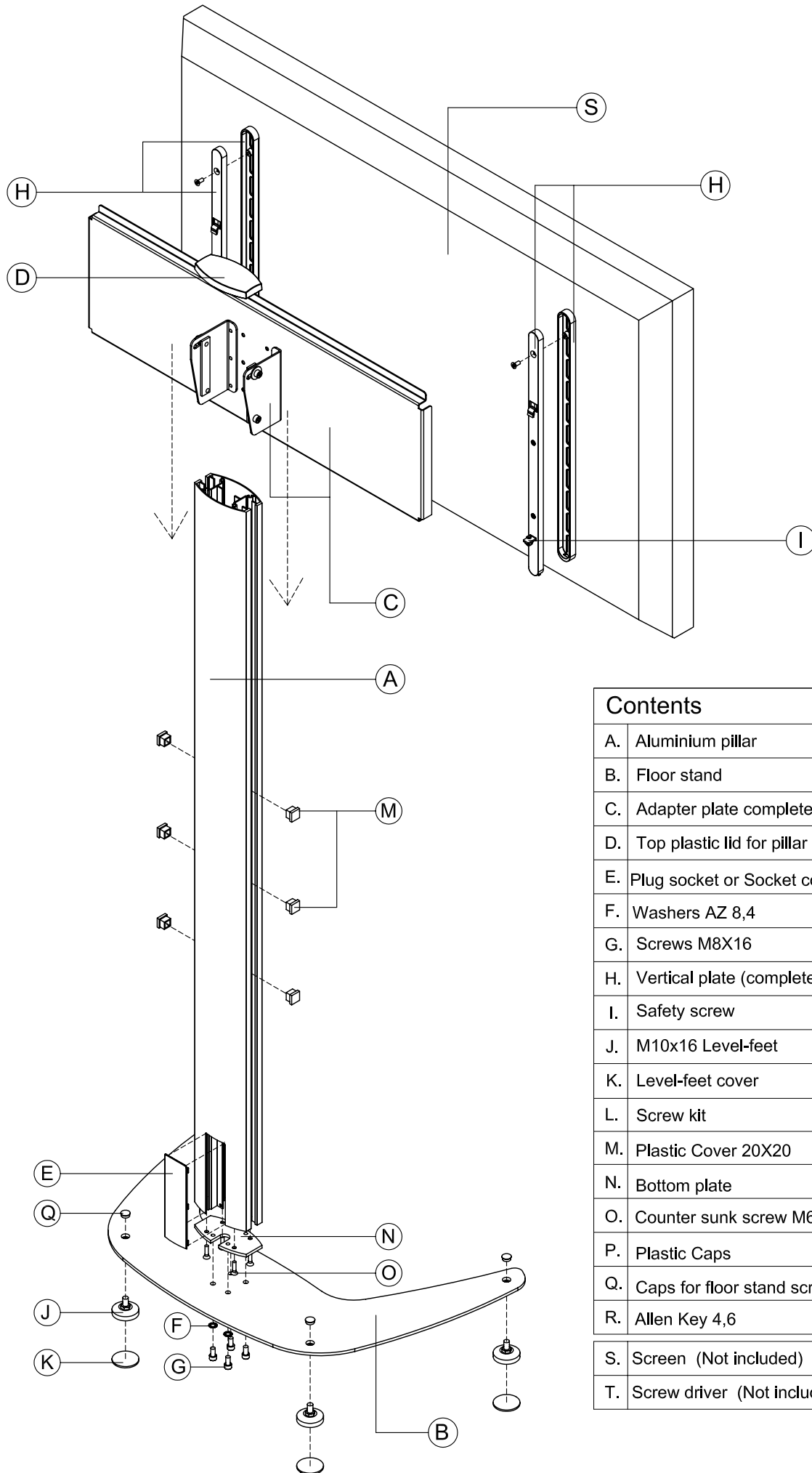


SMS FLATSCREEN FH T1150/1450/2000





### Contents

A.	Aluminium pillar	1
B.	Floor stand	1
C.	Adapter plate complete	1
D.	Top plastic lid for pillar	1
E.	Plug socket or Socket cover	1
F.	Washers AZ 8,4	4
G.	Screws M8X16	4
H.	Vertical plate (complete)	2
I.	Safety screw	2
J.	M10x16 Level-feet	4
K.	Level-feet cover	4
L.	Screw kit	
M.	Plastic Cover 20X20	6
N.	Bottom plate	1
O.	Counter sunk screw M6x25	4
P.	Plastic Caps	4
Q.	Caps for floor stand screw	4
R.	Allen Key 4,6	2
S.	Screen (Not included)	
T.	Screw driver (Not included)	

