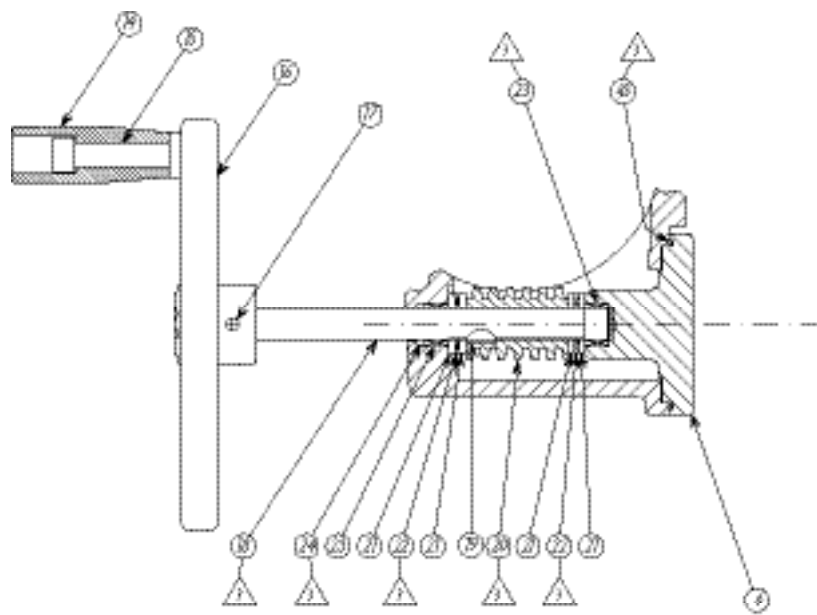
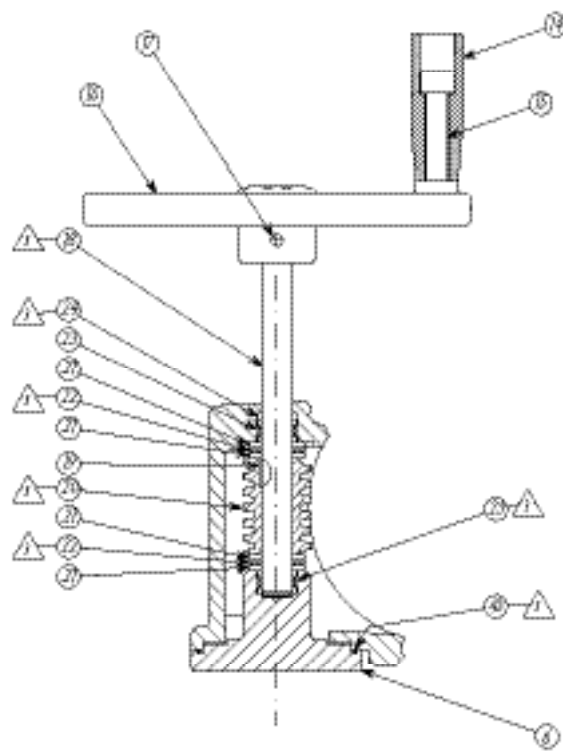


ASSEMBLY NOTES:

- △ 1 USE PARKER-O-LUBE AT ASSEMBLY
- △ 2 USE PERMABOND LM113 OR LOCTITE 222 AT ASSEMBLY
- △ 3 USE LOW-TEMP LUBRIPLATE AT ASSEMBLY
- △ 4 USE PERMABOND LM120 OR LOCTITE 277 AT ASSEMBLY
- △ 5 USE PERMABOND LH050 AT ASSEMBLY
- △ 6 USE LOCTITE 290 AT ASSEMBLY
- △ 7 USE SIKA-FLEX AT ASSEMBLY



SECTION A-A



SECTION B-B

ITEM NO.	Description	Item	Quantity
2	INLET ELBOW	118673	1
3	BASE	115712	1
4	OUTLET ELBOW	118675	1
5	MIDDLE ELBOW	118674	1
6	END CAP	118559	2
14	SPINNER	769648	2
15	SCREW	765213	2
16	HANDWHEEL	118560	2
17	ROLL PIN	744086	2
18	HANDWHEEL SHAFT	769647	2
19	WOODREFF KEY	727025	2
20	WORM GEAR	718273	2
21	THRUST WASHER	784121	8
22	NEEDLE BEARING	703453	4
23	NEEDLE BEARING	704395	4
24	O-RING	757313	2
25	SWIVEL PLUG	742112	10
26	BRASS BALL	704020	188
27	GREESE FITTING	713191	2
28	SCREW	765067	2
29	STOP	769498	2
30	PLUG	744337	13
31	ID TAG	773350	1
32	GRIP NAIL	736052	4
33	SCREW	767086	8
37	PIPE PLUG	744286	1
38	O-RING	757076	4
39	O-RING	757077	2
40	SCREW	765120	6
41	O-RING	757080	1
43	O-RING	757063	2
44	SCREW	765071	1
103	SCREW	765187	2



**STYLE 3671
HANDWHEEL BRASS CONQUEST
TECHNICAL SERVICE PARTS LIST**



ISO 9001 REGISTERED COMPANY

PHONE: 330.264.5678 or 800.228.1161 | FAX: 330.264.2944 or 800.531.7335 | akronbrass.com

REVISED: 4/12

WARRANTY AND DISCLAIMER: We warrant Akron Brass products for a period of five (5) years after purchase against defects in materials or workmanship. Akron Brass will repair or replace product which fails to satisfy this warranty. Repair or replacement shall be at the discretion of Akron Brass. Products must be promptly returned to Akron Brass for warranty service.

We will not be responsible for: wear and tear; any improper installation, use, maintenance or storage; negligence of the owner or user; repair or modification after delivery; damage; failure to follow our instructions or recommendations; or anything else beyond our control. WE MAKE NO WARRANTIES, EXPRESS OR IMPLIED, OTHER THAN THOSE INCLUDED IN THIS WARRANTY STATEMENT, AND WE DISCLAIM ANY IMPLIED WARRANTY OF MERCHANTABILITY OR FITNESS FOR ANY PARTICULAR PURPOSE. Further, we will not be responsible for any consequential, incidental or indirect damages (including, but not limited to, any loss of profits) from any cause whatsoever. No person has authority to change this warranty.

© Akron Brass Company, 2012 All rights reserved. No portion of this can be reproduced without the express written consent of Akron Brass Company.