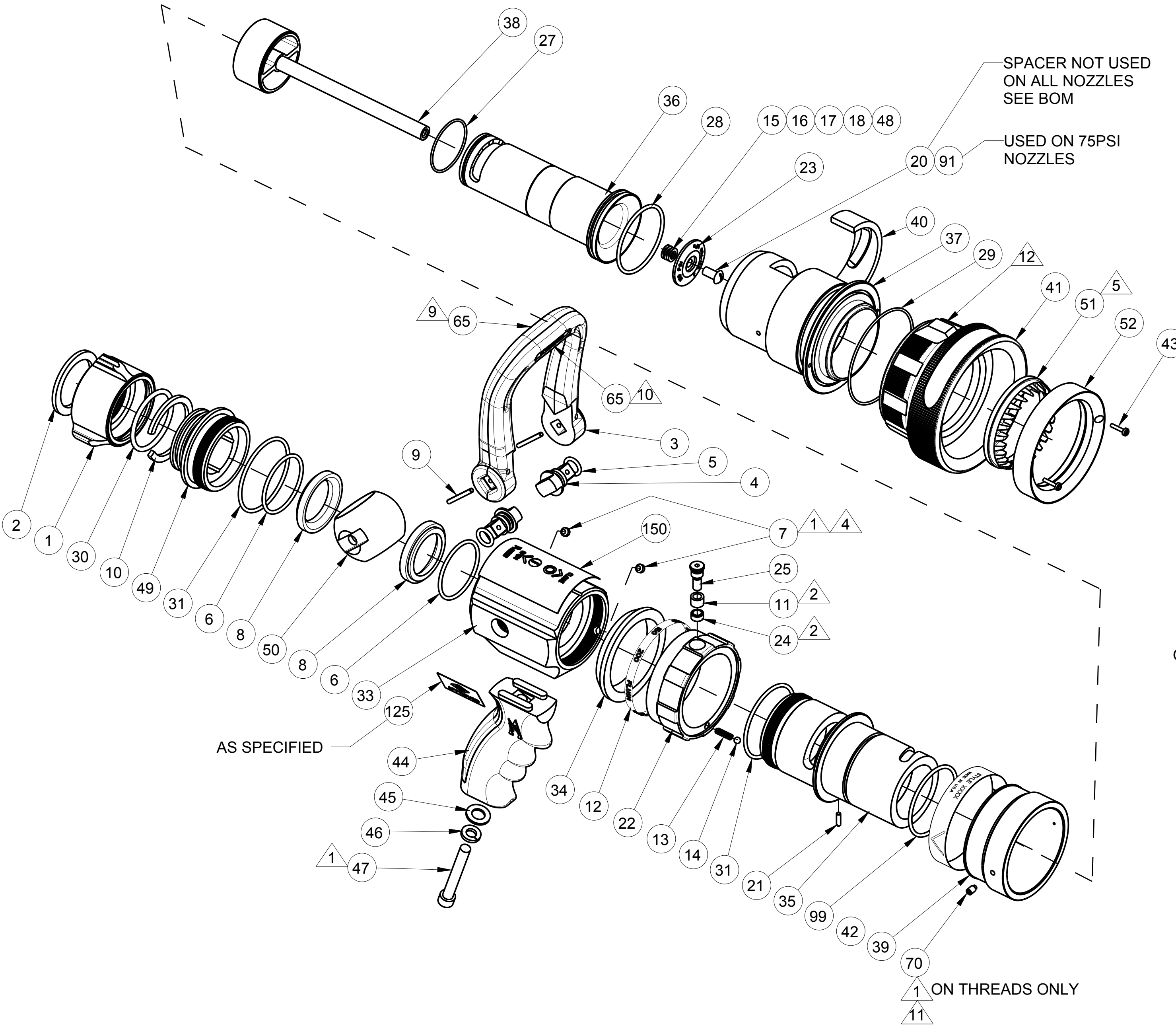




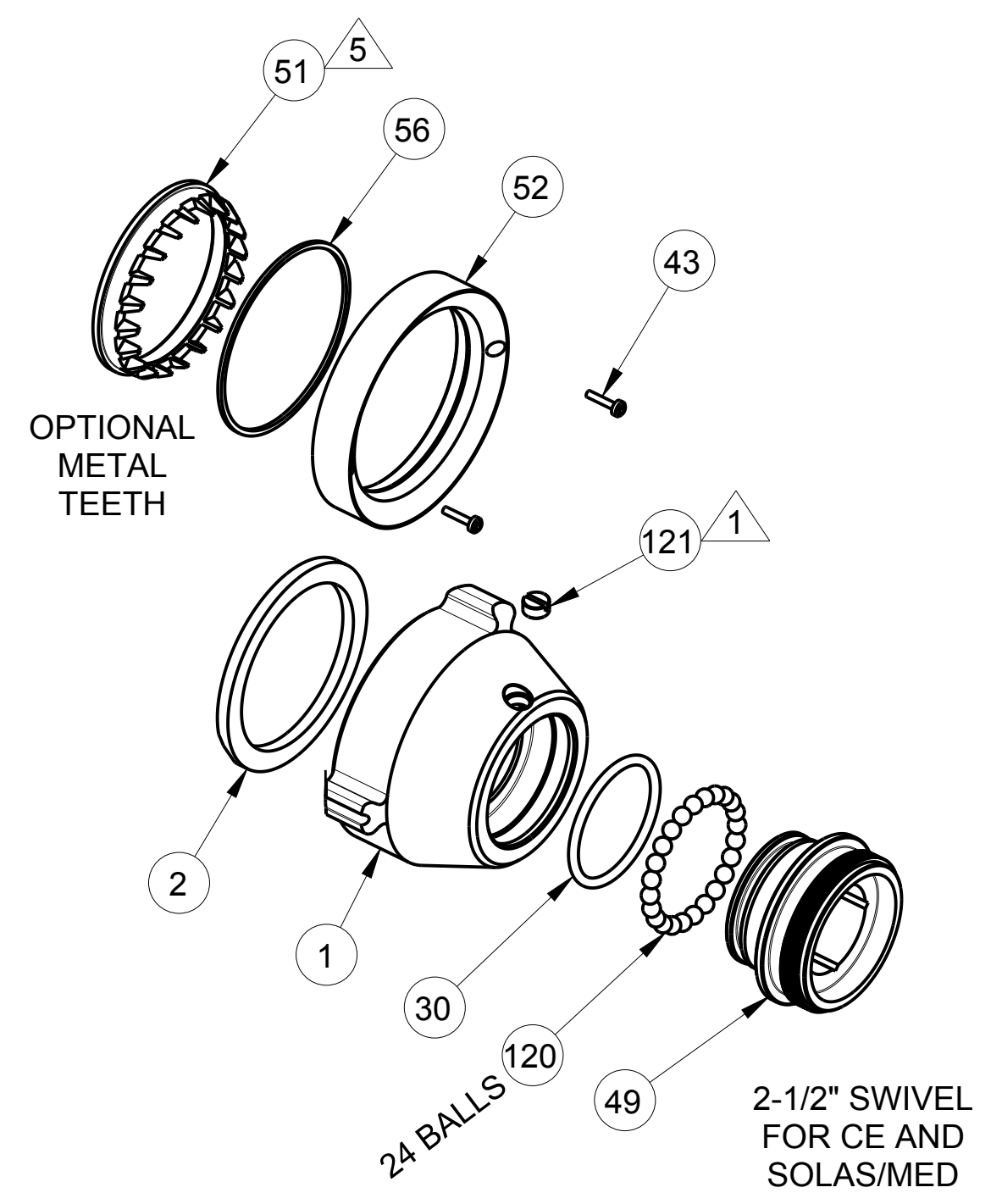
TECHNICAL SERVICE PARTS
STYLE 1723, 1725, 1733, 1733MED
PRODUCT 2-1/2" & MID RANGE

IF AN ITEM IS NOTED AS "NOT FIELD REPAIRABLE", OR YOU WISH TO RETURN AN ITEM TO AKRON BRASS FOR SERVICE PLEASE GO ONLINE TO, ONLINEREPAIR.AKRONBRASS.COM

Chg.	Date
15	04-17
16	12-17



- ASSEMBLY NOTES:**
- 1 USE LOCTITE 222 OR PERMABOND LM113.
 - 2 USE LOW-TEMP LUBRIPLATE.
 - 3 USE PERMABOND HH120 OR LOCTITE 277.
 - 4 DIMPLE AT ASSEMBLY.
 - 5 DO NOT CUT TURBINE TEETH.
 - 6 USE LOCTITE PRIMER T.
 - 7 USE LOCTITE 680.
 - 8 REF: OPEN, ABIERTO, OUVERT, AUF.
 - 9 REF: CLOSED, CERRADO, FERME, ZU.
 - 10 STAKE AT ASSEMBLY.
 - 11 TIGHTEN SCREW.
 - 12 RAISED LUG INLINE WITH STRAIGHT STREAM.
 - 13 USE DEVCON 14270.



1 ON THREADS ONLY
 11

PHONE: 330.264.5678 or 800.228.1161 | FAX: 330.264.2944 or 800.531.7335 | www.akronbrass.com

WARRANTY AND DISCLAIMER*: We warrant Akron Brass products for a period of five (5) years* after purchase against defects in materials or workmanship. Akron Brass will repair or replace product which fails to satisfy this warranty. Repair or replacement shall be at the discretion of Akron Brass. Products must be promptly returned to Akron Brass for warranty service. We will not be responsible for: wear and tear; any improper installation, use, maintenance or storage; negligence of the owner or user; repair or modification after delivery; failure to follow our instructions or recommendations; or anything else beyond our control. **WE MAKE NO WARRANTIES, EXPRESS OR IMPLIED, OTHER THAN THOSE INCLUDED IN THIS WARRANTY STATEMENT, AND WE DISCLAIM ANY IMPLIED WARRANTY OF MERCHANTABILITY OR FITNESS FOR ANY PARTICULAR PURPOSE.** Further, we will not be responsible for any consequential, incidental or indirect damages (including, but not limited to, any loss of profits) from any cause whatsoever. No person has authority to change this warranty. *Unless otherwise provided herein. Akron Brass industrial electronic components & the Severe-Duty Monitor have a one (1) year warranty. Select Akron Brass handline nozzles and valves carry a ten (10) year warranty. Scene Star Lights carry a (6) year warranty. Weldon products have a two (2) year warranty from date of manufacture (excluding consumable components). Select Weldon LED products carry a five (5) year warranty. Honda products have the manufacturers' warranty and Akron Brass disclaims any warranty in respect of those products.

Parts List Sheet:
120783
 © 2016 Akron Brass Company. All rights reserved. No portion of this can be reproduced without the express written consent of the Akron Brass Company. D43987



TECHNICAL SERVICE PARTS
STYLE 1723, 1725, 1733, 1733MED
PRODUCT 2-1/2 & MID RANGE

IF AN ITEM IS NOTED AS "NOT FIELD REPAIRABLE", OR YOU WISH TO RETURN AN ITEM TO AKRON BRASS FOR SERVICE PLEASE GO ONLINE TO, **ONLINEREPAIR.AKRONBRASS.COM**

Chg.	Date
15	04-17
16	12-17

Find	Description	Item	QTY 1723	QTY 1733	QTY 1733MED	QTY 1725		
1	***, E	SWIVEL 2.5"NH BALL BEARING	123233	-	-	1	-	
1	***, B	SWIVEL 2.5"NH PISTON RING	-	1	1	-	1	
1	***, C	SWIVEL 1.5"NH PISTON RING	-	1	1	-	1	
1	***, D	SWIVEL 1.5"NPSH PISTON RING	-	1	1	-	1	
2	B, E	GASKET 2-1/2"	717043	1	1	1	1	
2	C, D	GASKET 1-1/2"	717042	1	1	-	1	
3		HANDLE SHUTOFF	(SEE CHART)					
4		TRUNNION	107860	2	2	2	2	
5		O-RING 2-111	757269	2	2	2	2	
6		O-RING 2-132	757422	2	2	2	2	
7		SCREW ALLEN HD SOC SET CUP 1/4 -20X3/16"	765008	2	2	1	2	
8		SEAT	769243	2	2	2	2	
9		PIN ROLL 1/8 x 1-1/4	744062	2	2	2	2	
10	B, C, D	RING PISTON 1-1/2"	-	1	1	-	1	
11		CAM ROLLER	707238	1	1	1	1	
12		BAND DISCHARGE CONTROL	(SEE CHART)					
14		BALL 3/16"	704018	1	1	1	1	
15	**	SHIM BAFFLE BROWN	769400					**
16	**	SHIM BAFFLE PINK	769401					**
17	**	SHIM BAFFLE GREEN	769402					**
18	**	SHIM BAFFLE BLUE	768190					**
20		SCREW SOCKET BUTTON HEAD 1/4-20 x 1/2"	765149	1	1	1	1	
21		KEY DISCHARGE	727033	1	1	1	1	
22		RING GALLONAGE CONTROL	109108	1	1	1	1	
23		HEAD BAFFLE 100P @7b/700kPa	121287	1	1	1	1	
23		HEAD BAFFLE 75P @5b/500kPa	121282	1	1	-	1	
24		CAM ROLLER	707239	1	1	1	1	
25		AXLE CAM	702050	1	1	1	1	
27		O-RING 2-029	757247	1	1	2	1	
28		O-RING 2-137	757266	1	1	1	1	
29		O-RING 2-040	757292	1	1	1	1	
30	B,C,D,E	O-RING 2-224	757267	1	1	1	1	
31		O-RING 2-140	757265	2	2	2	2	
33		BODY SHUT OFF W/PISTOL GRIP	120769	1	1	1	-	
33		BODY SHUT OFF W/OUT PISTOL GRIP	120768	-	-	-	1	
34		SPACER	769799	1	1	1	1	
35		BODY NOZZLE	120698	1	1	1	1	
36		TUBE DISCHARGE 1733MED	120700	-	-	1	1	
36		TUBE DISCHARGE 1733	120701	-	1	-	-	
36		TUBE DISCHARGE 1723	120703	1	-	-	-	
37		SLEEVE PATTERN	121969	1	1	1	1	
38		STEM/SPIDER SUB-ASSY 1733MED	124970	-	-	1	1	
38		STEM/SPIDER SUB-ASSY 1733	124971	-	1	-	-	
38		STEM/SPIDER SUB-ASSY 1723	124970	1	-	-	-	
39		RING PATTERN SLEEVE	120699	1	1	1	1	
40		INSERT CAM	723038	1	1	2	1	
41		BUMPER	(SEE CHART)					
42		BAND PATTERN INDICATOR	(SEE CHART)					
43		SCREW SOCKET HEAD CAP 6-32 x 5/8"	765179	2	2	1	2	
44		GRIP PISTOL	(SEE CHART)					-
45		WASHER FLAT 5/16	784093	1	1	1	-	
46		WASHER LOCK 5/16	784090	1	1	1	-	
47		SCREW SOCKET HEAD CAP 5/16-18 x 2-1/4"	763064	1	1	1	-	

Find	Description	Item	QTY 1723	QTY 1733	QTY 1733MED	QTY 1725		
48		SPACER	769388	1	1	1	1	
49	B, C, D	ADAPTER SWIVEL	-	1	1	-	1	
49	E	ADAPTER SWIVEL	123201	-	-	1	-	
50		BALL CELCON 2.5"	704029	1	1	1	1	
51		TEETH TURBINE	772149	1	1	1	1	
51		TEETH TURBINE - METAL TEETH	118813	1	1	1	1	
52		RING TURBINE RETAINER	758243	1	1	1	1	
52		RING TURBINE RETAINER - METAL TEETH	758251	1	1	1	1	
56		SPACER - METAL TEETH	704704	1	1	1	1	
70		SCREW SOCKET HEAD FULL DOG SET 10-24 x 5/16"	767088	1	1	1	1	
91		SCREW SOCKET BUTTON HEAD 1/4-20 x 3/4"	765147	-	1	-	-	
99		O-RING 2-138	757321	1	1	1	1	
120	A, E	BALL 1/4"	-	-	-	24	-	
121	A, E	PLUG SWIVEL 3/8-24 x 3/16"	742023	-	-	1	-	
125		LABEL FM	729669	1	1	-	-	
125		LABEL CE	729510	-	-	-	-	
125		LABEL MED	729809	-	-	1	-	
150		LABEL OPEN/CLOSE	729863	1	1	1	1	
A	KIT OF 50 BALLS						123074	
B	2.50"NH SWIVEL						45250002	
C	1.50"NH SWIVEL						45290002	
D	1.50"NPSH SWIVEL						45290003	
E	2.50"NH BALL BEARING SWIVEL						17330535	

** INSTALLED AT FACTORY AS NEEDED FOR FINAL FLOW CALIBRATION.
 *** FOR OTHER THREADS ORDER BY DESCRIPTION AND THREAD SIZE.

PHONE: 330.264.5678 or 800.228.1161 | FAX: 330.264.2944 or 800.531.7335 | www.akronbrass.com

WARRANTY AND DISCLAIMER*: We warrant Akron Brass products for a period of five (5) years* after purchase against defects in materials or workmanship. Akron Brass will repair or replace product which fails to satisfy this warranty. Repair or replacement shall be at the discretion of Akron Brass. Products must be promptly returned to Akron Brass for warranty service. We will not be responsible for: wear and tear; any improper installation, use, maintenance or storage; negligence of the owner or user; repair or modification after delivery; failure to follow our instructions or recommendations; or anything else beyond our control. **WE MAKE NO WARRANTIES, EXPRESS OR IMPLIED, OTHER THAN THOSE INCLUDED IN THIS WARRANTY STATEMENT, AND WE DISCLAIM ANY IMPLIED WARRANTY OF MERCHANTABILITY OR FITNESS FOR ANY PARTICULAR PURPOSE.** Further, we will not be responsible for any consequential, incidental or indirect damages (including, but not limited to, any loss of profits) from any cause whatsoever. No person has authority to change this warranty. *Unless otherwise provided herein. Akron Brass industrial electronic components & the Severe-Duty Monitor have a one (1) year warranty. Select Akron Brass handline nozzles and valves carry a ten (10) year warranty. Scene Star Lights carry a (6) year warranty. Weldon products have a two (2) year warranty from date of manufacture (excluding consumable components). Select Weldon LED products carry a five (5) year warranty. Honda products have the manufacturers' warranty and Akron Brass disclaims any warranty in respect of those products.

Parts List Sheet:
120783



TECHNICAL SERVICE PARTS

STYLE 1723, 1725, 1733, 1733MED

PRODUCT 2-1/2 & MID RANGE

IF AN ITEM IS NOTED AS "NOT FIELD REPAIRABLE", OR YOU WISH TO RETURN AN ITEM TO AKRON BRASS FOR SERVICE PLEASE GO ONLINE TO, **ONLINEREPAIR.AKRONBRASS.COM**

Chg.	Date
15	04-17
16	12-17

Find	Description	STYLE	COLOR	ITEM	QTY
41	BUMPER	1723, 1725, 1733	BLACK	703657	1
41	BUMPER	1723, 1725, 1733	RED	703897	1
41	BUMPER	1723, 1725, 1733	ORANGE	703898	1
41	BUMPER	1723, 1725, 1733	YELLOW	703899	1
41	BUMPER	1723, 1725, 1733	GREEN	703900	1
41	BUMPER	1723, 1725, 1733	GREY	703901	1
42	PATTERN INDICATOR BAND	1723	RED	803196	1
42	PATTERN INDICATOR BAND	1733	RED	704955	1
42	PATTERN INDICATOR BAND	1725	RED	704954	1
12	BAND DISCHARGE CONTROL 125-250G @100P	1725, 1733	RED	704850	1
12	BAND DISCHARGE CONTROL 125-250G @75P	1725, 1733	RED	704830	1
12	BAND DISCHARGE CONTROL 475-950L @7b	1725, 1733	RED	704807	1
12	BAND DISCHARGE CONTROL 475-950L @5b	1725, 1733	RED	704841	1
12	BAND DISCHARGE CONTROL 360-750L @7b	1723	RED	704808	1
12	BAND DISCHARGE CONTROL 95-200G @100P	1723	RED	704849	1
12	BAND DISCHARGE CONTROL 95-200G @75P	1723	RED	703924	1
12	BAND DISCHARGE CONTROL 360-750L @5b	1723	RED	803070	1
44	PISTOL GRIP	1723, 1733	BLACK	718233	1
44	PISTOL GRIP	1723, 1733	YELLOW	718235	1
44	PISTOL GRIP	1723, 1733	GREEN	718239	1
44	PISTOL GRIP	1723, 1733	ORANGE	718238	1
44	PISTOL GRIP	1723, 1733	BLUE	718237	1
44	PISTOL GRIP	1723, 1733	RED	718236	1
44	PISTOL GRIP	1723, 1733	GREY	718240	1
44	PISTOL GRIP	1723, 1733	WHITE	718234	1
3	SHUTOFF HANDLE	1723, 1725, 1733	BLACK	721427	1
3	SHUTOFF HANDLE	1723, 1725, 1733	YELLOW	721428	1
3	SHUTOFF HANDLE	1723, 1725, 1733	GREEN	721429	1
3	SHUTOFF HANDLE	1723, 1725, 1733	ORANGE	721430	1
3	SHUTOFF HANDLE	1723, 1725, 1733	BLUE	721431	1
3	SHUTOFF HANDLE	1723, 1725, 1733	RED	721432	1
3	SHUTOFF HANDLE	1723, 1725, 1733	GREY	721433	1
3	SHUTOFF HANDLE	1723, 1725, 1733	WHITE	721434	1
3	SHUTOFF HANDLE	1723, 1725, 1733	PURPLE	721500	1
3	SHUTOFF HANDLE	1723, 1725, 1733	LIME GREEN	721602	1

PHONE: 330.264.5678 or 800.228.1161 | FAX: 330.264.2944 or 800.531.7335 | www.akronbrass.com

Parts List Sheet:

120783

WARRANTY AND DISCLAIMER*: We warrant Akron Brass products for a period of five (5) years* after purchase against defects in materials or workmanship. Akron Brass will repair or replace product which fails to satisfy this warranty. Repair or replacement shall be at the discretion of Akron Brass. Products must be promptly returned to Akron Brass for warranty service. We will not be responsible for: wear and tear; any improper installation, use, maintenance or storage; negligence of the owner or user; repair or modification after delivery; failure to follow our instructions or recommendations; or anything else beyond our control. **WE MAKE NO WARRANTIES, EXPRESS OR IMPLIED, OTHER THAN THOSE INCLUDED IN THIS WARRANTY STATEMENT, AND WE DISCLAIM ANY IMPLIED WARRANTY OF MERCHANTABILITY OR FITNESS FOR ANY PARTICULAR PURPOSE.** Further, we will not be responsible for any consequential, incidental or indirect damages (including, but not limited to, any loss of profits) from any cause whatsoever. No person has authority to change this warranty. *Unless otherwise provided herein. Akron Brass industrial electronic components & the Severe-Duty Monitor have a one (1) year warranty. Select Akron Brass handline nozzles and valves carry a ten (10) year warranty. Scene Star Lights carry a (6) year warranty. Weldon products have a two (2) year warranty from date of manufacture (excluding consumable components). Select Weldon LED products carry a five (5) year warranty. Honda products have the manufacturers' warranty and Akron Brass disclaims any warranty in respect of those products.

© 2016 Akron Brass Company. All rights reserved. No portion of this can be reproduced without the express written consent of the Akron Brass Company.

D43987