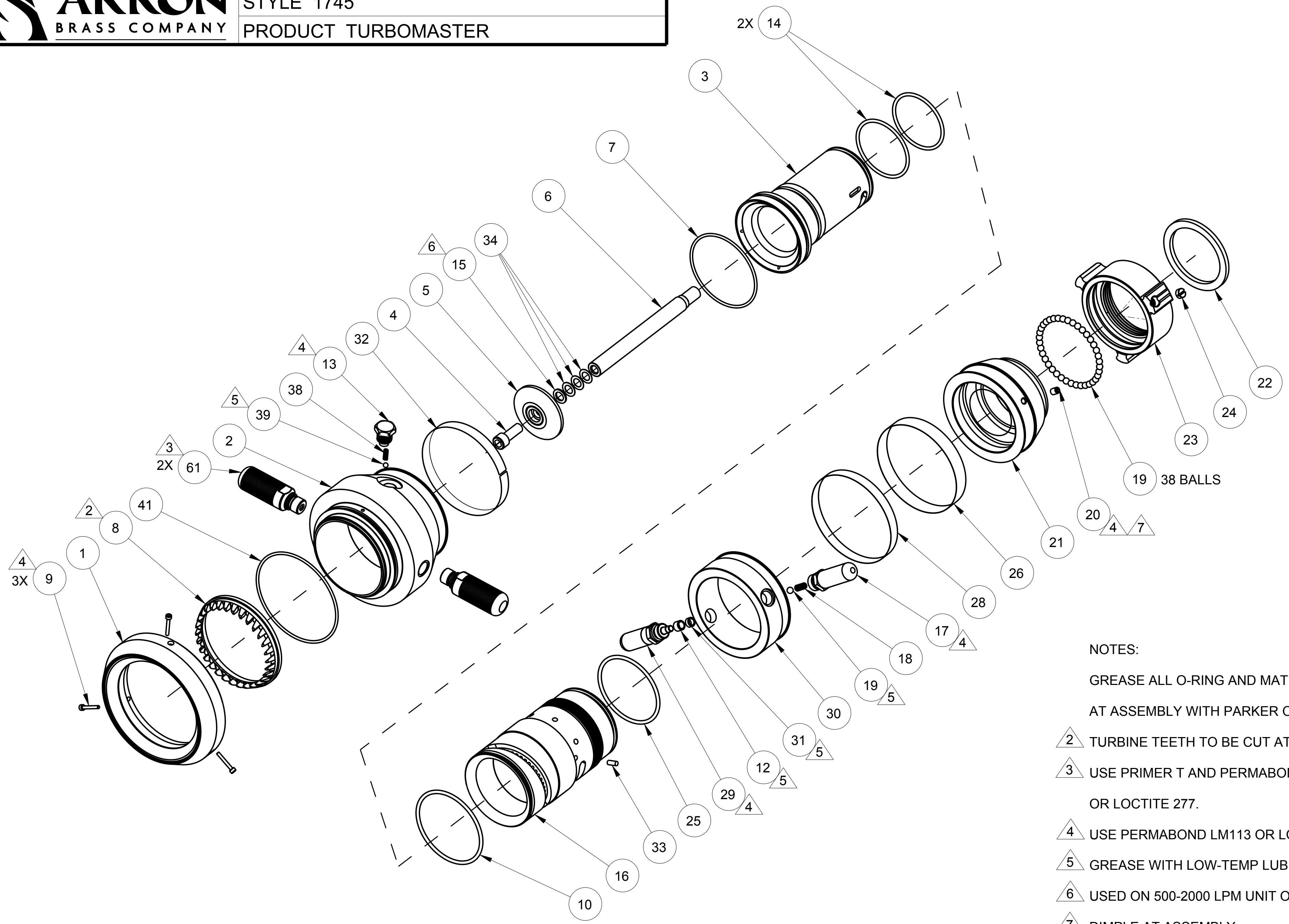




TECHNICAL SERVICE PARTS
 STYLE 1745
 PRODUCT TURBOMASTER

IF AN ITEM IS NOTED AS "NOT FIELD REPAIRABLE", OR YOU WISH TO RETURN AN ITEM TO AKRON BRASS FOR SERVICE PLEASE GO ONLINE TO, ONLINEREPAIR.AKRONBRASS.COM

Chg.	Date
09	10-14
10	12-17



- NOTES:
- GREASE ALL O-RING AND MATING SURFACES AT ASSEMBLY WITH PARKER O-LUBE.
 - 2** TURBINE TEETH TO BE CUT AT ASSEMBLY.
 - 3** USE PRIMER T AND PERMABOND HH120 OR LOCTITE 277.
 - 4** USE PERMABOND LM113 OR LOCTITE 222.
 - 5** GREASE WITH LOW-TEMP LUBRIPLATE.
 - 6** USED ON 500-2000 LPM UNIT ONLY.
 - 7** DIMPLE AT ASSEMBLY.

PHONE: 330.264.5678 or 800.228.1161 | FAX: 330.264.2944 or 800.531.7335 | www.akronbrass.com

Parts List Sheet:

124416

WARRANTY AND DISCLAIMER*: We warrant Akron Brass products for a period of five (5) years* after purchase against defects in materials or workmanship. Akron Brass will repair or replace product which fails to satisfy this warranty. Repair or replacement shall be at the discretion of Akron Brass. Products must be promptly returned to Akron Brass for warranty service. We will not be responsible for: wear and tear; any improper installation, use, maintenance or storage; negligence of the owner or user; repair or modification after delivery; failure to follow our instructions or recommendations; or anything else beyond our control. WE MAKE NO WARRANTIES, EXPRESS OR IMPLIED, OTHER THAN THOSE INCLUDED IN THIS WARRANTY STATEMENT, AND WE DISCLAIM ANY IMPLIED WARRANTY OF MERCHANTABILITY OR FITNESS FOR ANY PARTICULAR PURPOSE. Further, we will not be responsible for any consequential, incidental or indirect damages (including, but not limited to, any loss of profits) from any cause whatsoever. No person has authority to change this warranty. *Unless otherwise provided herein. Akron Brass industrial electronic components & the Severe-Duty Monitor have a one (1) year warranty. Select Akron Brass handline nozzles and valves carry a ten (10) year warranty. Scene Star Lights carry a (6) year warranty. Weldon products have a two (2) year warranty from date of manufacture (excluding consumable components). Select Weldon LED products carry a five (5) year warranty. Honda products have the manufacturers' warranty and Akron Brass disclaims any warranty in respect of those products.

© 2016 Akron Brass Company. All rights reserved. No portion of this can be reproduced without the express written consent of the Akron Brass Company.



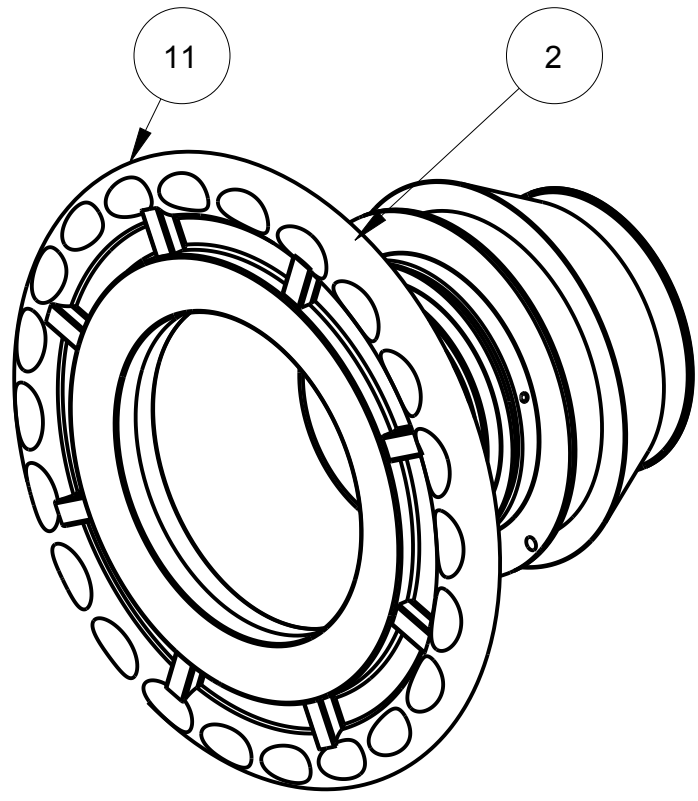
TECHNICAL SERVICE PARTS

STYLE 1745

PRODUCT TURBOMASTER

IF AN ITEM IS NOTED AS "NOT FIELD REPAIRABLE", OR YOU WISH TO RETURN AN ITEM TO AKRON BRASS FOR SERVICE PLEASE GO ONLINE TO, **ONLINEREPAIR.AKRONBRASS.COM**

Chg.	Date
09	10-14
10	12-17



DISCONTINUED PATTERN SLEEVE WITH CONTROL RING (FOR REPAIR ONLY)

ITEM NO.	DESCRIPTION	PART NO.	QUANTITY
			1745
1	TURBINE RETAINING RING(FOR CONTROL RING)	117394	1
1	TURBINE RETAINING RING (FOR HANDLES)	124418	1
2	C PATTERN SLEEVE ASSY (WITH CONTROL RING)	-	1
2	PATTERN SLEEVE (FOR HANDLES)	124417	1
3	DISCHARGE TUBE-OPTIONAL FLOW	117403	1
3	DISCHARGE TUBE-STANDARD FLOW	117499	-
4	SCREW 3/8-16 X 1	767139	1
5	BAFFLE HEAD-OPTIONAL FLOW	117402	1
5	BAFFLE HEAD-STANDARD FLOW	117500	1
6	BAFFLE STEM	117396	1
7	O-RING 2-151	757221	1
8	TURBINE TEETH	772171	1
9	SCREW SOC HD CAP 6-32 X 7/8	761096	3
10	O-RING 2-235	757356	2
11	C PATTERN CONTROL RING	-	1
12	CAM ROLLER-LONG	758313	1
13	NUT CAM DETENT	735045	1
14	O-RING 2-229	757357	2
15	SPACER-500-2000 LPM	769305	1
16	NOZZLE BODY	117397	1
17	DETENT HANDLE	117398	1
18	SPRING	768026	1
19	B BALL BEARINGS	-	39
20	SET SCREW 1/4-20 X 3/8	765022	1
21	SWIVEL ADAPTER	117399	1
22	GASKET	717043	1
23	A SWIVEL 2-1/2 NH	101420	1
24	B SWIVEL PLUG	742023	1
25	O-RING 2-233	757065	1
26	ID BAND 1745	704634	1
28	GALLONAGE BAND 500-2000 LPM	704635	1
28	GALLONAGE BAND 250-750 GPM	703538	1
28	GALLONAGE BAND 950-2900 LPM	703543	1
29	CAM HANDLE	117400	1
30	GALLONAGE CONTROL RING	117401	1
31	CAM ROLLER	758312	1
32	INDICATOR PATTERN BAND 500-2000 LPM	704636	1
32	INDICATOR PATTERN BAND 250-750 GPM	703539	1
32	INDICATOR PATTERN BAND 950-2900 LPM	703542	1
33	KEY	727047	1
34	SHIM BLUE	768218	1
34	SHIM BROWN	768219	1
34	SHIM PINK	768220	1
38	DETENT SPRING	769111	1
39	BALL ST STL 3/16	704018	1
41	O-RING 2-250	757358	1
55	SCREW 1/4-20 X 3/8	765108	2
61	HANDLE- PATTERN	124394	2

OPERATING & MAINTENANCE INSTRUCTIONS

THE FOUR FLOW SETTINGS ARE BASED ON 100 PSI INLET PRESSURE. MAXIMUM OPERATING PRESSURE OF 150 PSI. CHECK THE TURBINE TEETH TO BE SURE THEY TURN FREELY BEFORE OPERATING.

THE TURBINE TEETH ARE SPLIT TO ALLOW FOR EXPANSION AND CONTRACTION.

THE TURBINE TEETH ARE EASILY REMOVED FOR CLEANING OR REPLACEMENT. SIMPLY REMOVE THE THREE SET SCREWS (9), REMOVE THE TURBINE RETAINING RING (1), AND REMOVE THE TURBINE TEETH (8). TO CLEAN, SIMPLY WIPE OFF ANY DIRT AND GREASE FROM THE TURBINE TEETH AND CONTACT SURFACES ON THE TURBINE RETAINING RING AND PATTERN SLEEVE (2). IF OTHER PARTS ON THE NOZZLE ARE DISASSEMBLED, BE SURE TO THAT ANY O-RINGS ARE LUBRICATED WITH PARKER O-LUBE OR EQUIVALENT BEFORE REASSEMBLY.

A	FOR OTHER THREADS ORDER BY DESCRIPTION AND THREAD SIZE (ODM AND TPI) OR BY AKRON THREAD CODE.	
B	PACKET OF 50 BALL BEARINGS	109041
C	THE PATTERN CONTROL RING (ITEM 11), MUST BE PRESSED ON AT FACTORY WITH (ITEM 2) PATTERN SLEEVE.	17450017

PHONE: 330.264.5678 or 800.228.1161 | FAX: 330.264.2944 or 800.531.7335 | www.akronbrass.com

WARRANTY AND DISCLAIMER*: We warrant Akron Brass products for a period of five (5) years* after purchase against defects in materials or workmanship. Akron Brass will repair or replace product which fails to satisfy this warranty. Repair or replacement shall be at the discretion of Akron Brass. Products must be promptly returned to Akron Brass for warranty service. We will not be responsible for: wear and tear; any improper installation, use, maintenance or storage; negligence of the owner or user; repair or modification after delivery; failure to follow our instructions or recommendations; or anything else beyond our control. WE MAKE NO WARRANTIES, EXPRESS OR IMPLIED, OTHER THAN THOSE INCLUDED IN THIS WARRANTY STATEMENT, AND WE DISCLAIM ANY IMPLIED WARRANTY OF MERCHANTABILITY OR FITNESS FOR ANY PARTICULAR PURPOSE. Further, we will not be responsible for any consequential, incidental or indirect damages (including, but not limited to, any loss of profits) from any cause whatsoever. No person has authority to change this warranty. *Unless otherwise provided herein. Akron Brass industrial electronic components & the Severe-Duty Monitor have a one (1) year warranty. Select Akron Brass headline nozzles and valves carry a ten (10) year warranty. Scene Star Lights carry a (6) year warranty. Weldon products have a two (2) year warranty from date of manufacture (excluding consumable components). Select Weldon LED products carry a five (5) year warranty. Honda products have the manufacturers' warranty and Akron Brass disclaims any warranty in respect of those products.

© 2016 Akron Brass Company. All rights reserved. No portion of this can be reproduced without the express written consent of the Akron Brass Company.

Parts List Sheet:

124416