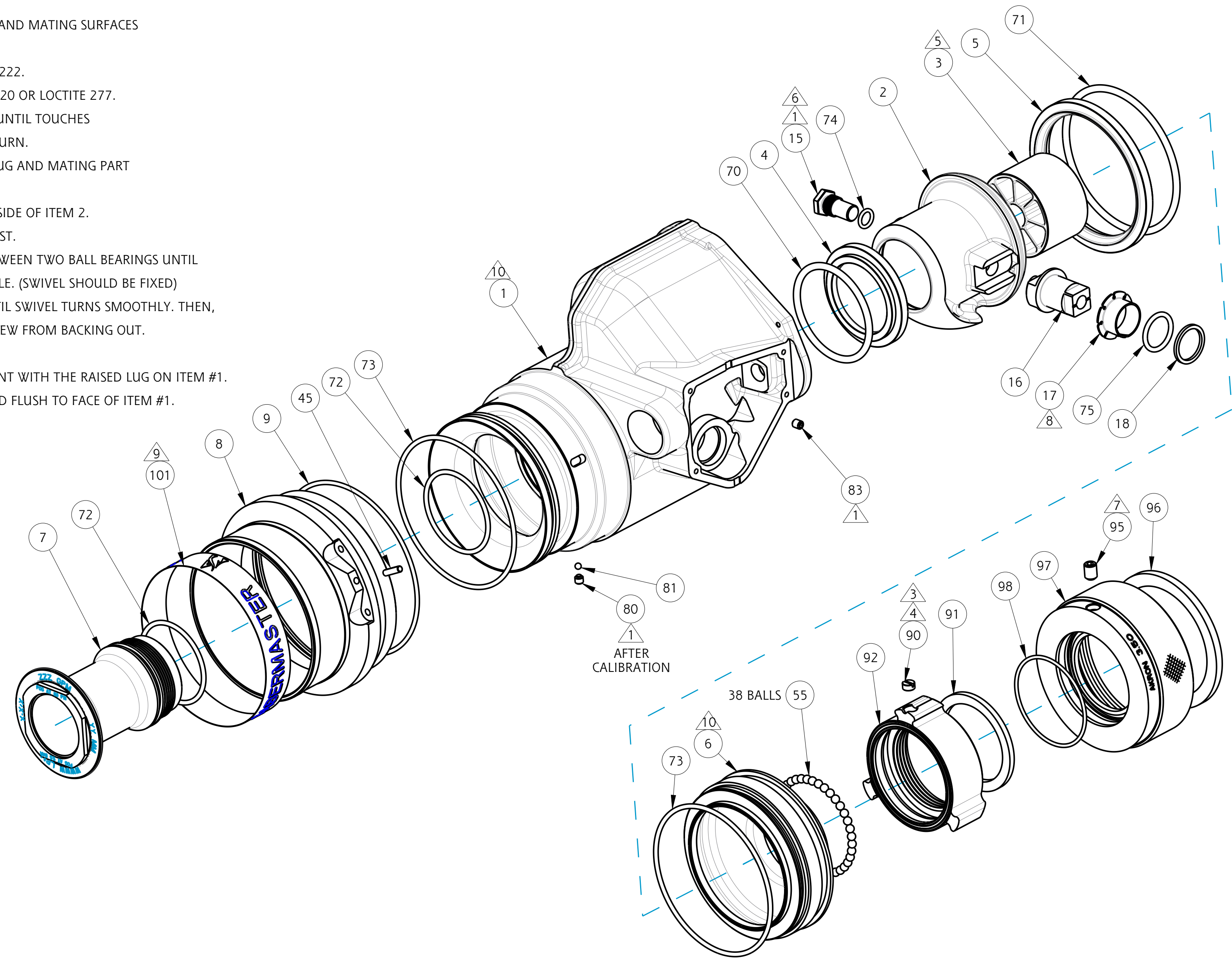


ASSEMBLY NOTES:

USE PARKER O-LUBE ON ALL O-RINGS AND MATING SURFACES UNLESS OTHERWISE NOTED.

- ① USE PERMABOND LM113 OR LOCTITE 222.
- ② USE PRIMER T AND PERMABOND HH120 OR LOCTITE 277.
- ③ ALIGN BALL IN HOLE. TIGHTEN PLUG UNTIL TOUCHES BALL. THEN BACK OUT PLUG 1/4-1/2 TURN.
- ④ THOROUGHLY CLEAN THREADS OF PLUG AND MATING PART AND APPLY LOCTITE 425.
- ⑤ USE LOCTITE 680 TO BOND ITEM 3 INSIDE OF ITEM 2.
- ⑥ STAMP LAST DIGITS OF YEAR AFTER TEST.
- ⑦ TIGHTEN CONE POINT SET SCREW BETWEEN TWO BALL BEARINGS UNTIL IT BOTTOMS OUT IN SWIVEL PLUG HOLE. (SWIVEL SHOULD BE FIXED) THEN BACK OUT APPROX 1 TURN UNTIL SWIVEL TURNS SMOOTHLY. THEN, STAKE FIRST THREAD TO PREVENT SCREW FROM BACKING OUT.
- ⑧ USE MOBILITH SHC 460.
- ⑨ PLACE THE FLAMING "A" IN ALIGNMENT WITH THE RAISED LUG ON ITEM #1.
- ⑩ FLANGE ON ITEM #6 TO BE ASSEMBLED FLUSH TO FACE OF ITEM #1.
- ⑪ TIGHTEN TO 10IN-LBS.



PHONE: 330.264.5678 or 800.228.1161 | FAX: 330.264.2944 or 800.531.7335 | www.akronbrass.com

WARRANTY AND DISCLAIMER*: We warrant Akron Brass products for a period of five (5) years* after purchase against defects in materials or workmanship. Akron Brass will repair or replace product which fails to satisfy this warranty. Repair or replacement shall be at the discretion of Akron Brass. Products must be promptly returned to Akron Brass for warranty service. We will not be responsible for: wear and tear; any improper installation, use, maintenance or storage; negligence of the owner or user; repair or modification after delivery; failure to follow our instructions or recommendations; or anything else beyond our control. WE MAKE NO WARRANTIES, EXPRESS OR IMPLIED, OTHER THAN THOSE INCLUDED IN THIS WARRANTY STATEMENT, AND WE DISCLAIM ANY IMPLIED WARRANTY OF MERCHANTABILITY OR FITNESS FOR ANY PARTICULAR PURPOSE. Further, we will not be responsible for any consequential, incidental or indirect damages (including, but not limited to, any loss of profits) from any cause whatsoever. No person has authority to change this warranty. *Unless otherwise provided herein. Akron Brass industrial electronic components & the Severe-Duty Monitor have a one (1) year warranty. Select Akron Brass handline nozzles and valves carry a ten (10) year warranty. Scene Star Lights carry a (6) year warranty. Weldon products have a two (2) year warranty from date of manufacture (excluding consumable components). Select Weldon LED products carry a five (5) year warranty. Honda products have the manufacturers' warranty and Akron Brass disclaims any warranty in respect of those products.

© 2016 Akron Brass Company. All rights reserved. No portion of this can be reproduced without the express written consent of the Akron Brass Company.

Parts List Sheet:
126550

D47689



TECHNICAL SERVICE PARTS

STYLE 1578

PRODUCT SABERMASTER

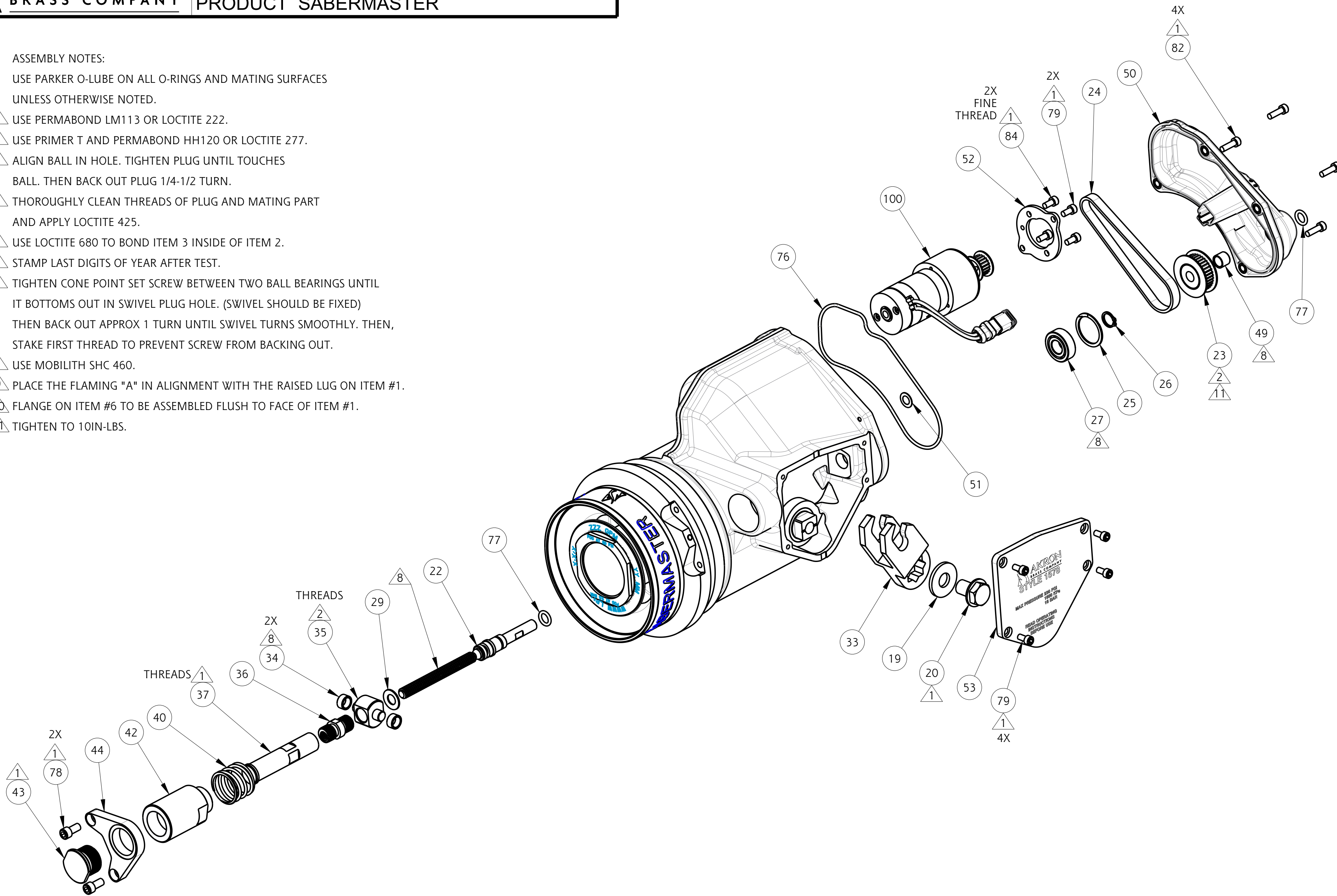
IF AN ITEM IS NOTED AS "NOT FIELD REPAIRABLE", OR YOU WISH TO RETURN AN ITEM TO AKRON BRASS FOR SERVICE PLEASE GO ONLINE TO, ONLINEREPAIR.AKRONBRASS.COM

Chg.	Date
06	10-19
07	04-20

ASSEMBLY NOTES:

USE PARKER O-LUBE ON ALL O-RINGS AND MATING SURFACES UNLESS OTHERWISE NOTED.

- 1 USE PERMABOND LM113 OR LOCTITE 222.
- 2 USE PRIMER T AND PERMABOND HH120 OR LOCTITE 277.
- 3 ALIGN BALL IN HOLE. TIGHTEN PLUG UNTIL TOUCHES BALL. THEN BACK OUT PLUG 1/4-1/2 TURN.
- 4 THOROUGHLY CLEAN THREADS OF PLUG AND MATING PART AND APPLY LOCTITE 425.
- 5 USE LOCTITE 680 TO BOND ITEM 3 INSIDE OF ITEM 2.
- 6 STAMP LAST DIGITS OF YEAR AFTER TEST.
- 7 TIGHTEN CONE POINT SET SCREW BETWEEN TWO BALL BEARINGS UNTIL IT BOTTOMS OUT IN SWIVEL PLUG HOLE. (SWIVEL SHOULD BE FIXED) THEN BACK OUT APPROX 1 TURN UNTIL SWIVEL TURNS SMOOTHLY. THEN, STAKE FIRST THREAD TO PREVENT SCREW FROM BACKING OUT.
- 8 USE MOBILITH SHC 460.
- 9 PLACE THE FLAMING "A" IN ALIGNMENT WITH THE RAISED LUG ON ITEM #1.
- 10 FLANGE ON ITEM #6 TO BE ASSEMBLED FLUSH TO FACE OF ITEM #1.
- 11 TIGHTEN TO 10IN-LBS.



PHONE: 330.264.5678 or 800.228.1161 | FAX: 330.264.2944 or 800.531.7335 | www.akronbrass.com

WARRANTY AND DISCLAIMER*: We warrant Akron Brass products for a period of five (5) years* after purchase against defects in materials or workmanship. Akron Brass will repair or replace product which fails to satisfy this warranty. Repair or replacement shall be at the discretion of Akron Brass. Products must be promptly returned to Akron Brass for warranty service. We will not be responsible for: wear and tear; any improper installation, use, maintenance or storage; negligence of the owner or user; repair or modification after delivery; failure to follow our instructions or recommendations; or anything else beyond our control. WE MAKE NO WARRANTIES, EXPRESS OR IMPLIED, OTHER THAN THOSE INCLUDED IN THIS WARRANTY STATEMENT, AND WE DISCLAIM ANY IMPLIED WARRANTY OF MERCHANTABILITY OR FITNESS FOR ANY PARTICULAR PURPOSE. Further, we will not be responsible for any consequential, incidental or indirect damages (including, but not limited to, any loss of profits) from any cause whatsoever. No person has authority to change this warranty. *Unless otherwise provided herein. Akron Brass industrial electronic components & the Severe-Duty Monitor have a one (1) year warranty. Select Akron Brass handline nozzles and valves carry a ten (10) year warranty. Scene Star Lights carry a (6) year warranty. Weldon products have a two (2) year warranty from date of manufacture (excluding consumable components). Select Weldon LED products carry a five (5) year warranty. Honda products have the manufacturers' warranty and Akron Brass disclaims any warranty in respect of those products.

Parts List Sheet:

126550



TECHNICAL SERVICE PARTS

STYLE 1578

PRODUCT SABERMASTER

IF AN ITEM IS NOTED AS "NOT FIELD REPAIRABLE", OR YOU WISH TO RETURN AN ITEM TO AKRON BRASS FOR SERVICE PLEASE GO ONLINE TO, **ONLINEREPAIR.AKRONBRASS.COM**

Chg.	Date
06	10-19
07	04-20

Find	Description	Item	Qty
1	BODY NOZZLE	126537	1
2	BALL 2.5"	126539	1
3	SHAPER STREAM	119133	1
4	A SEAT BALL	-	1
5	A SEAT BALL	-	1
6	ADAPTER SWIVEL	127666	1
7	TIP SMOOTH BORE 2"	126540	1
7	TIP SMOOTH BORE 1-1/2"	126543	1
7	TIP SMOOTH BORE 1-3/8"	126544	1
8	SLEEVE PATTERN	126538	1
9	A BEARING TEFLON	-	1
15	TRUNNION THREADED	102177	1
16	TRUNNION BALL	119131	1
17	BEARING NYLINER	735058	1
18	SPACER POLYETHELENE	769690	1
19	WASHER 1/2"	784120	1
20	SCREW HEX HEAD CAP 1/2-13 X 3/4"	761065	1
22	LEAD SCREW	765382	1
23	PULLEY 36 TOOTH	744549	1
24	BELT 3MM	803301	1
25	RING RETAINING	758308	1
26	RING RETAINING	758132	2
27	BEARING	703919	1
29	WASHER BELLEVILLE 3/4"	784071	1
33	CLEVIS BALL YOKE	126535	1
34	GUIDE ROLLER	718212	2
35	CAM FOLLOWER	126530	1
36	ACME THREAD 3/8-12 BRONZE	734127	1
37	ROD PULL PATTERN SLEEVE	126534	1
40	SPRING	770461	1
42	TUBE PATTERN SLEEVE PUSH	126533	1
43	PLUG ACTUATOR	126529	1
44	ACTUATOR BLOCK	126531	1
45	PIN DOWEL 3/16 X 3/4	744548	1
49	BEARING	803422	1
50	PULLEY COVER	807119	1
51	ADHESIVE VENT	779095	1
52	MOTOR MOUNTING PLATE	743018	1
53	COVER VALVE	126536	1
55	A,B BALL BRASS 1/4"OD	-	38

Find	Description	Item	Qty
70	A O-RING 2-336	-	1
71	A O-RING 2-349	-	1
72	A O-RING 2-230	-	2
73	A O-RING 2-247	-	2
74	A O-RING 2-111	-	1
75	A O-RING 2-214	-	1
76	A O-RING 2-158	-	1
77	A O-RING 2-110	-	2
78	SCREW SOCKET HEAD CAP 1/4-20 X 1/2"	765014	2
79	SCREW SOCKET HEAD CAP PATCH 10-24 X 3/8"	767029	6
80	SCREW SOCKET HEAD SET PATCH 1/4-20 X 1/4"	765083	1
81	BALL NYLON 3/16"	704031	1
82	SCREW SOCKET HEAD CAP 10-24 X 5/8"	765028	4
83	SCREW SOCKET HEAD CUP POINT SET 1/4-20 X 1/4"	765002	1
84	SCREW SOCKET HEAD CAP 10-32 X 3/8"	765152	2
90	A,B PLUG SWIVEL 3/8-24 X 3/16"	-	1
91	GASKET RUBBER 2.5"	717043	1
92	SWIVEL 2.5"NH	101420	1
95	SCREW SOCKET HEAD CONE POINT SET 3/8-24 x 1/2"	765186	1
96	GASKET RUBBER 3.5"	714023	1
97	SWIVEL 3.5"NH	109525	1
98	A O-RING 2-149	-	1
100	MOTOR GEAR HANSEN 12V DEUTSCH	15780003	1
100	MOTOR GEAR HANSEN 24V DEUTSCH	15780004	1
101	BAND ID	803300	1
A	SEAT/SEAL/O-RING KIT	95780001	
B	KIT OF 50 BALLS 1/4" BRASS	109041	

PHONE: 330.264.5678 or 800.228.1161 | FAX: 330.264.2944 or 800.531.7335 | www.akronbrass.com

Parts List Sheet:

126550

WARRANTY AND DISCLAIMER*: We warrant Akron Brass products for a period of five (5) years* after purchase against defects in materials or workmanship. Akron Brass will repair or replace product which fails to satisfy this warranty. Repair or replacement shall be at the discretion of Akron Brass. Products must be promptly returned to Akron Brass for warranty service. We will not be responsible for: wear and tear; any improper installation, use, maintenance or storage; negligence of the owner or user; repair or modification after delivery; failure to follow our instructions or recommendations; or anything else beyond our control. WE MAKE NO WARRANTIES, EXPRESS OR IMPLIED, OTHER THAN THOSE INCLUDED IN THIS WARRANTY STATEMENT, AND WE DISCLAIM ANY IMPLIED WARRANTY OF MERCHANTABILITY OR FITNESS FOR ANY PARTICULAR PURPOSE. Further, we will not be responsible for any consequential, incidental or indirect damages (including, but not limited to, any loss of profits) from any cause whatsoever. No person has authority to change this warranty. *Unless otherwise provided herein. Akron Brass industrial electronic components & the Severe-Duty Monitor have a one (1) year warranty. Select Akron Brass handline nozzles and valves carry a ten (10) year warranty. Scene Star Lights carry a (6) year warranty. Weldon products have a two (2) year warranty from date of manufacture (excluding consumable components). Select Weldon LED products carry a five (5) year warranty. Honda products have the manufacturers' warranty and Akron Brass disclaims any warranty in respect of those products.

© 2016 Akron Brass Company. All rights reserved. No portion of this can be reproduced without the express written consent of the Akron Brass Company.

D47689