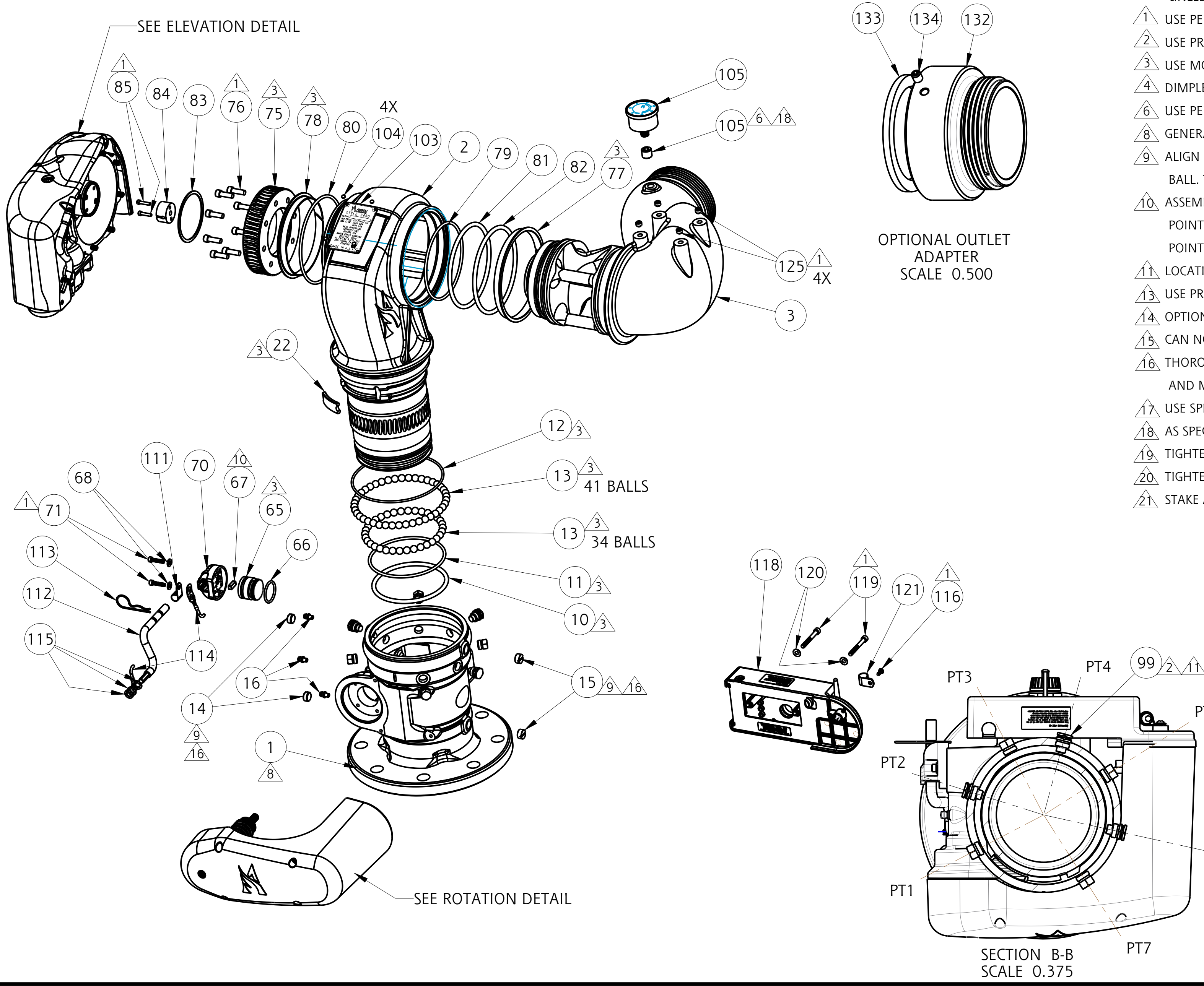




TECHNICAL SERVICE PARTS
STYLE 3480, 3482
PRODUCT STREAMMASTER II

IF AN ITEM IS NOTED AS "NOT FIELD REPAIRABLE", OR YOU WISH TO RETURN AN ITEM TO AKRON BRASS FOR SERVICE PLEASE GO ONLINE TO, ONLINEREPAIR.AKRONBRASS.COM

Chg.	Date
23	05-19
24	08-19



- ASSEMBLY NOTES:
- USE PARKER O-LUBE ON ALL O-RINGS AND MATING SURFACES UNLESS OTHERWISE NOTED.
- 1 USE PERMABOND LM113 OR LOCTITE 222.
 - 2 USE PRIMER T AND PERMABOND HH120 OR LOCTITE 277.
 - 3 USE MOBILITH SHC460.
 - 4 DIMPLE AT ASSEMBLY.
 - 6 USE PERMABOND LH050 OR LOCTITE 592.
 - 8 GENERAL DEPICTION SEE BILL OF MATERIAL.
 - 9 ALIGN BALL IN HOLE. TIGHTEN PLUG UNTIL TOUCHES BALL. THEN BACK OUT PLUG 1/4-1/2 TURN.
 - 10 ASSEMBLE SOUTH POLE OF MAGNET ON SAME SIDE AS DRILL POINT. USE PERMABOND 200 TO HOLD MAGNET IN PLACE. DRILL POINT SHOULD BE DOWN WHEN JOINT IS AT ZERO POSITION.
 - 11 LOCATION OF PERMANENT STOP.
 - 13 USE PRIMER T AND LOCTITE 680.
 - 14 OPTIONAL HANDWHEEL AS SPECIFIED
 - 15 CAN NOT BE USED WITH HANDWHEEL OPTION
 - 16 THOROUGHLY CLEAN THREADS OF PLUG AND MATING PART THEN APPLY LOCTITE 425.
 - 17 USE SPECIAL SLIDER 125790, ITEM 22.
 - 18 AS SPECIFIED.
 - 19 TIGHTEN TO 35in-lbs MAX.
 - 20 TIGHTEN TO 30in-lbs
 - 21 STAKE AT ASSEMBLY

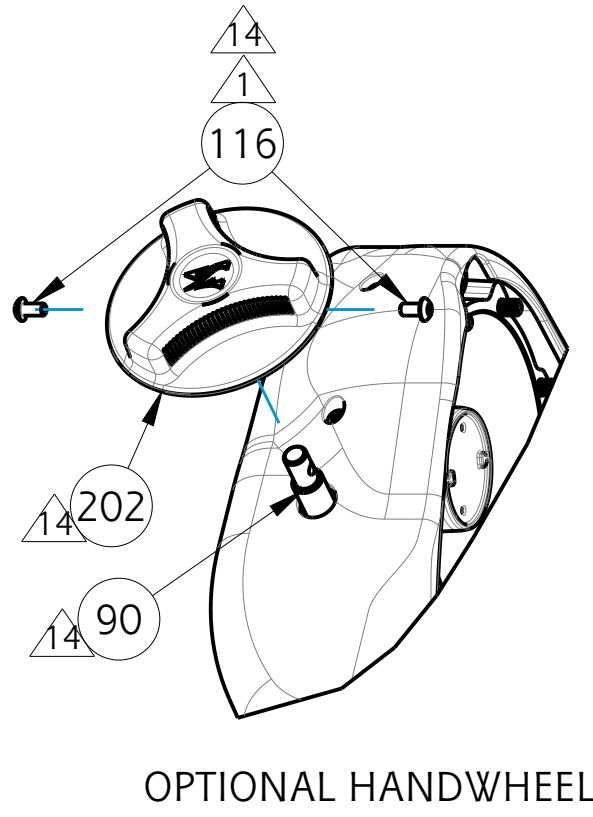
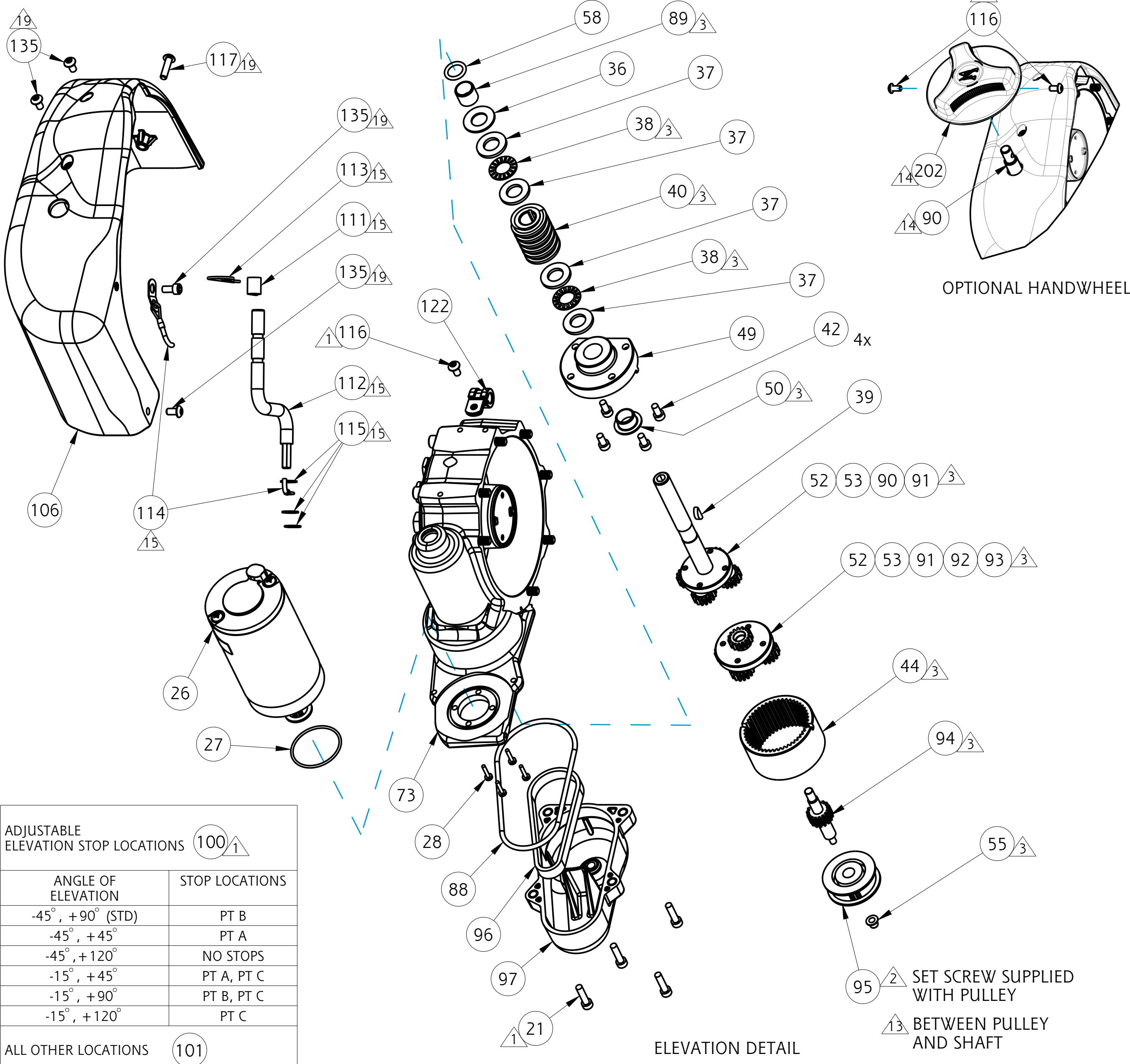
ADJUSTABLE ROTATION STOP LOCATIONS 99 1	
ANGLE OF ROTATION	STOP LOCATIONS
±90° (STD)	2,6 (SHOWN)
±45°	1,7
±22.5° 17	1,7
±135° 15	3,5
±177° 15	PERMANENT STOP ONLY
ALL OTHER LOCATIONS 98	

PHONE: 330.264.5678 or 800.228.1161 | FAX: 330.264.2944 or 800.531.7335 | www.akronbrass.com

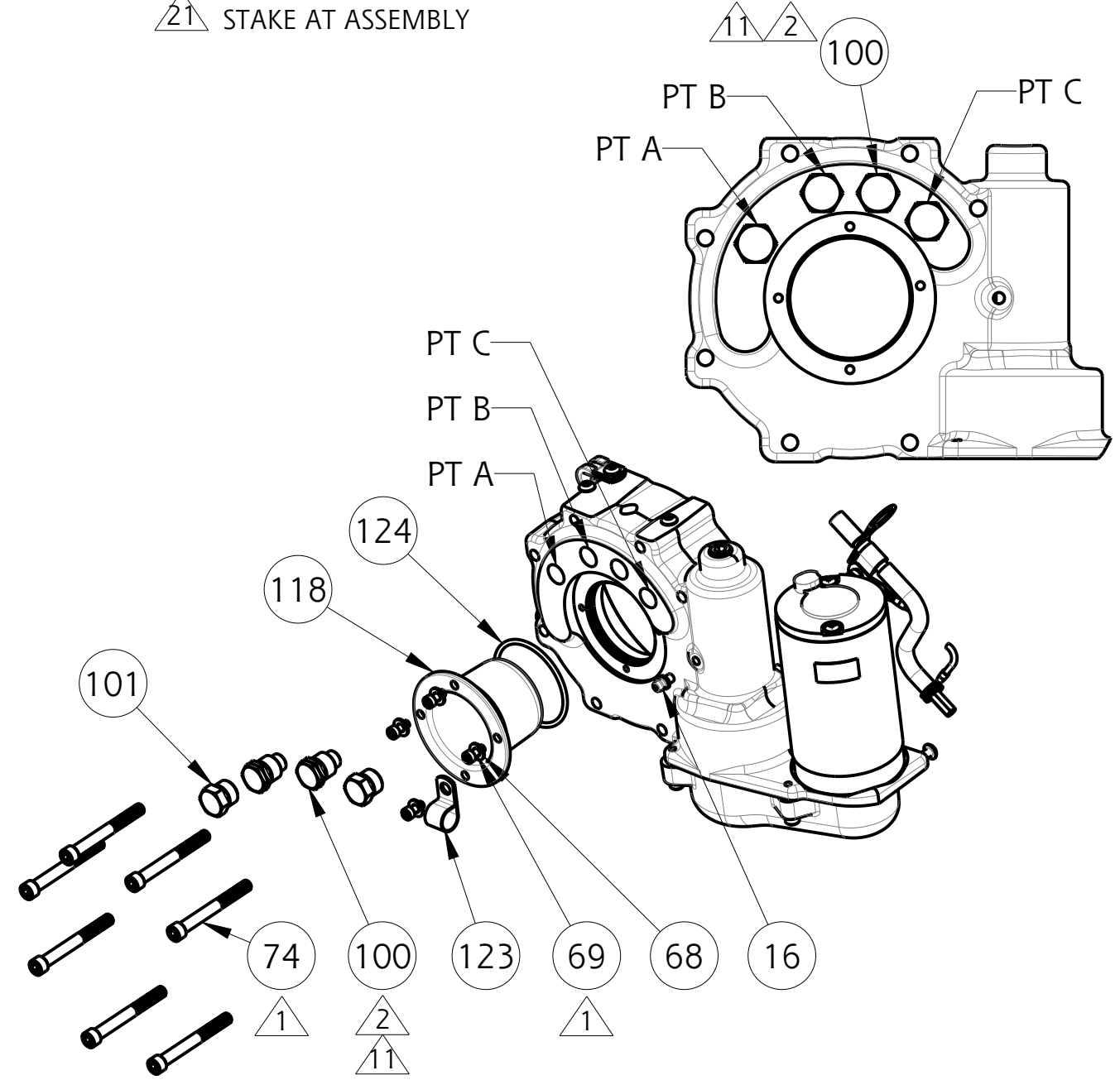
WARRANTY AND DISCLAIMER*: We warrant Akron Brass products for a period of five (5) years* after purchase against defects in materials or workmanship. Akron Brass will repair or replace product which fails to satisfy this warranty. Repair or replacement shall be at the discretion of Akron Brass. Products must be promptly returned to Akron Brass for warranty service. We will not be responsible for: wear and tear; any improper installation, use, maintenance or storage; negligence of the owner or user; repair or modification after delivery; failure to follow our instructions or recommendations; or anything else beyond our control. WE MAKE NO WARRANTIES, EXPRESS OR IMPLIED, OTHER THAN THOSE INCLUDED IN THIS WARRANTY STATEMENT, AND WE DISCLAIM ANY IMPLIED WARRANTY OF MERCHANTABILITY OR FITNESS FOR ANY PARTICULAR PURPOSE. Further, we will not be responsible for any consequential, incidental or indirect damages (including, but not limited to, any loss of profits) from any cause whatsoever. No person has authority to change this warranty. *Unless otherwise provided herein. Akron Brass industrial electronic components & the Severe-Duty Monitor have a one (1) year warranty. Select Akron Brass handline nozzles and valves carry a ten (10) year warranty. Scene Star Lights carry a (6) year warranty. Weldon products have a two (2) year warranty from date of manufacture (excluding consumable components). Select Weldon LED products carry a five (5) year warranty. Honda products have the manufacturers' warranty and Akron Brass disclaims any warranty in respect of those products.

© 2016 Akron Brass Company. All rights reserved. No portion of this can be reproduced without the express written consent of the Akron Brass Company.

Parts List Sheet:
123965
 D46488



- ASSEMBLY NOTES:
- USE PARKER O-LUBE ON ALL O-RINGS AND MATING SURFACES UNLESS OTHERWISE NOTED.
- 1 USE PERMABOND LM113 OR LOCTITE 222.
 - 2 USE PRIMER T AND PERMABOND HH120 OR LOCTITE 277.
 - 3 USE MOBILITH SHC460.
 - 4 DIMPLE AT ASSEMBLY.
 - 6 USE PERMABOND LH050 OR LOCTITE 592.
 - 8 GENERAL DEPICTION SEE BILL OF MATERIAL.
 - 9 ALIGN BALL IN HOLE. TIGHTEN PLUG UNTIL TOUCHES BALL. THEN BACK OUT PLUG 1/4-1/2 TURN.
 - 10 ASSEMBLE SOUTH POLE OF MAGNET ON SAME SIDE AS DRILL POINT. USE PERMABOND 200 TO HOLD MAGNET IN PLACE. DRILL POINT SHOULD BE DOWN WHEN JOINT IS AT ZERO POSITION.
 - 11 LOCATION OF PERMANENT STOP.
 - 13 USE PRIMER T AND LOCTITE 680.
 - 14 OPTIONAL HANDWHEEL AS SPECIFIED
 - 15 CAN NOT BE USED WITH HANDWHEEL OPTION
 - 16 THOROUGHLY CLEAN THREADS OF PLUG AND MATING PART THEN APPLY LOCTITE 425.
 - 17 USE SPECIAL SLIDER 125790, ITEM 22.
 - 18 AS SPECIFIED.
 - 19 TIGHTEN TO 35in-lbs MAX.
 - 20 TIGHTEN TO 30in-lbs
 - 21 STAKE AT ASSEMBLY



ADJUSTABLE ELEVATION STOP LOCATIONS 100

ANGLE OF ELEVATION	STOP LOCATIONS
-45°, +90° (STD)	PT B
-45°, +45°	PT A
-45°, +120°	NO STOPS
-15°, +45°	PT A, PT C
-15°, +90°	PT B, PT C
-15°, +120°	PT C

ALL OTHER LOCATIONS 101

ELEVATION DETAIL

95 SET SCREW SUPPLIED WITH PULLEY

13 BETWEEN PULLEY AND SHAFT

PHONE: 330.264.5678 or 800.228.1161 | FAX: 330.264.2944 or 800.531.7335 | www.akronbrass.com

Parts List Sheet:

123965

WARRANTY AND DISCLAIMER*: We warrant Akron Brass products for a period of five (5) years* after purchase against defects in materials or workmanship. Akron Brass will repair or replace product which fails to satisfy this warranty. Repair or replacement shall be at the discretion of Akron Brass. Products must be promptly returned to Akron Brass for warranty service. We will not be responsible for: wear and tear; any improper installation, use, maintenance or storage; negligence of the owner or user; repair or modification after delivery; failure to follow our instructions or recommendations; or anything else beyond our control. WE MAKE NO WARRANTIES, EXPRESS OR IMPLIED, OTHER THAN THOSE INCLUDED IN THIS WARRANTY STATEMENT, AND WE DISCLAIM ANY IMPLIED WARRANTY OF MERCHANTABILITY OR FITNESS FOR ANY PARTICULAR PURPOSE. Further, we will not be responsible for any consequential, incidental or indirect damages (including, but not limited to, any loss of profits) from any cause whatsoever. No person has authority to change this warranty. *Unless otherwise provided herein. Akron Brass industrial electronic components & the Severe-Duty Monitor have a one (1) year warranty. Select Akron Brass handline nozzles and valves carry a ten (10) year warranty. Scene Star Lights carry a (6) year warranty. Weldon products have a two (2) year warranty from date of manufacture (excluding consumable components). Select Weldon LED products carry a five (5) year warranty. Honda products have the manufacturers' warranty and Akron Brass disclaims any warranty in respect of those products.

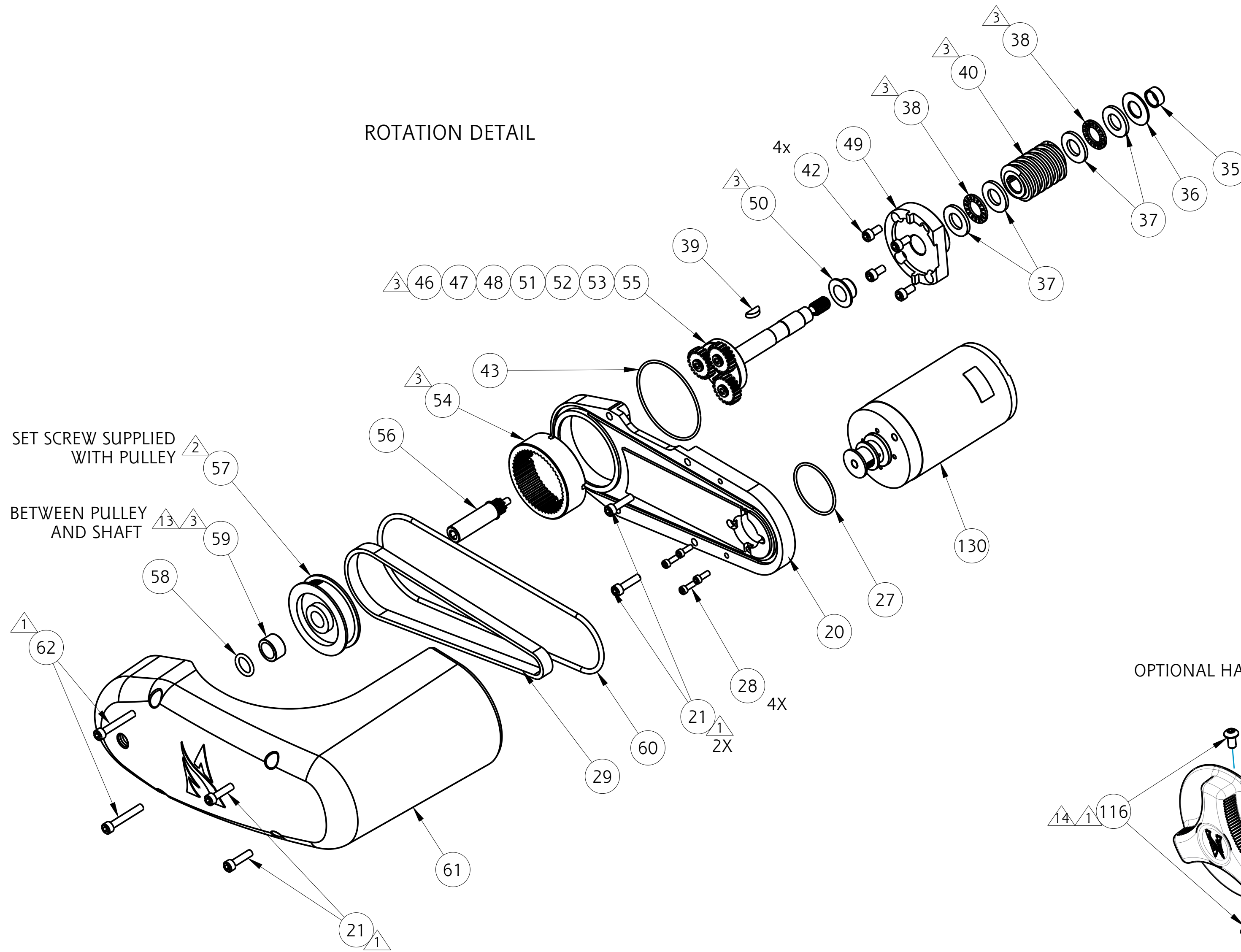
© 2016 Akron Brass Company. All rights reserved. No portion of this can be reproduced without the express written consent of the Akron Brass Company.

ASSEMBLY NOTES:

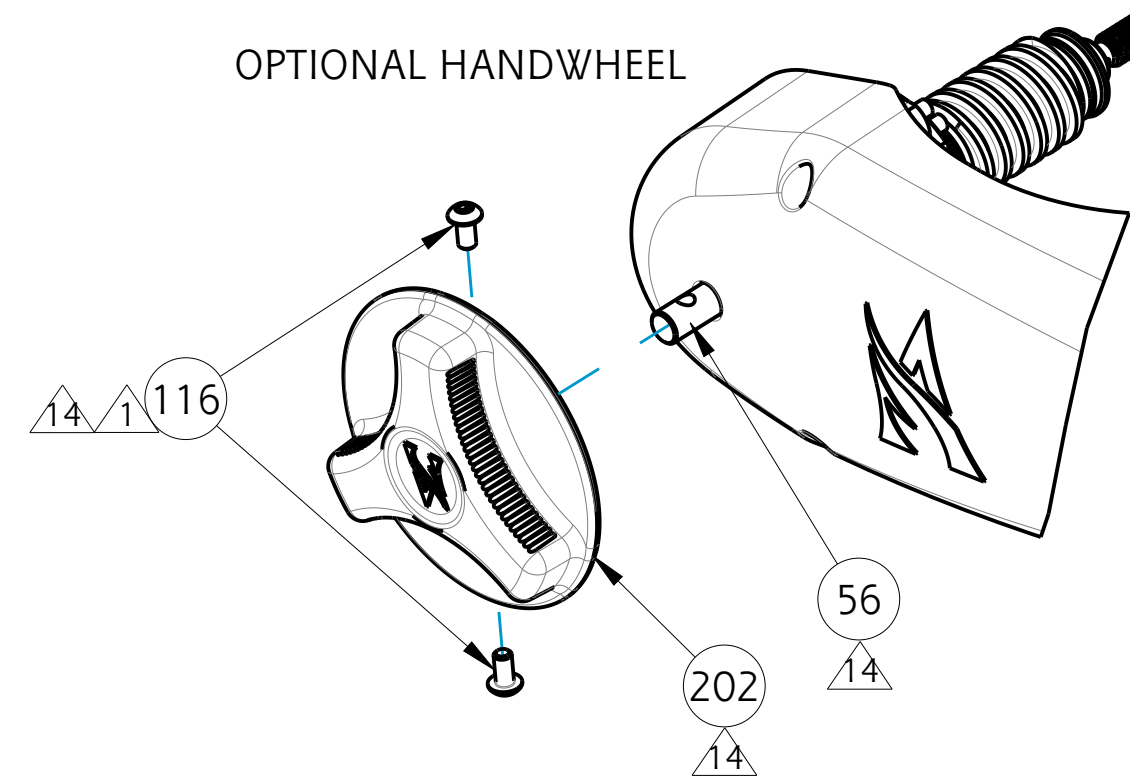
USE PARKER O-LUBE ON ALL O-RINGS AND MATING SURFACES UNLESS OTHERWISE NOTED.

- △1 USE PERMABOND LM113 OR LOCTITE 222.
- △2 USE PRIMER T AND PERMABOND HH120 OR LOCTITE 277.
- △3 USE MOBILITH SHC460.
- △4 DIMPLE AT ASSEMBLY.
- △6 USE PERMABOND LH050 OR LOCTITE 592.
- △8 GENERAL DEPICTION SEE BILL OF MATERIAL.
- △9 ALIGN BALL IN HOLE. TIGHTEN PLUG UNTIL TOUCHES BALL. THEN BACK OUT PLUG 1/4-1/2 TURN.
- △10 ASSEMBLE SOUTH POLE OF MAGNET ON SAME SIDE AS DRILL POINT. USE PERMABOND 200 TO HOLD MAGNET IN PLACE. DRILL POINT SHOULD BE DOWN WHEN JOINT IS AT ZERO POSITION.
- △11 LOCATION OF PERMANENT STOP.
- △13 USE PRIMER T AND LOCTITE 680.
- △14 OPTIONAL HANDWHEEL AS SPECIFIED
- △15 CAN NOT BE USED WITH HANDWHEEL OPTION
- △16 THOROUGHLY CLEAN THREADS OF PLUG AND MATING PART THEN APPLY LOCTITE 425.
- △17 USE SPECIAL SLIDER 125790, ITEM 22.
- △18 AS SPECIFIED.
- △19 TIGHTEN TO 35in-lbs MAX.
- △20 TIGHTEN TO 30in-lbs
- △21 STAKE AT ASSEMBLY

ROTATION DETAIL



OPTIONAL HANDWHEEL



PHONE: 330.264.5678 or 800.228.1161 | FAX: 330.264.2944 or 800.531.7335 | www.akronbrass.com

WARRANTY AND DISCLAIMER*: We warrant Akron Brass products for a period of five (5) years* after purchase against defects in materials or workmanship. Akron Brass will repair or replace product which fails to satisfy this warranty. Repair or replacement shall be at the discretion of Akron Brass. Products must be promptly returned to Akron Brass for warranty service. We will not be responsible for: wear and tear; any improper installation, use, maintenance or storage; negligence of the owner or user; repair or modification after delivery; failure to follow our instructions or recommendations; or anything else beyond our control. WE MAKE NO WARRANTIES, EXPRESS OR IMPLIED, OTHER THAN THOSE INCLUDED IN THIS WARRANTY STATEMENT, AND WE DISCLAIM ANY IMPLIED WARRANTY OF MERCHANTABILITY OR FITNESS FOR ANY PARTICULAR PURPOSE. Further, we will not be responsible for any consequential, incidental or indirect damages (including, but not limited to, any loss of profits) from any cause whatsoever. No person has authority to change this warranty. *Unless otherwise provided herein. Akron Brass industrial electronic components & the Severe-Duty Monitor have a one (1) year warranty. Select Akron Brass handline nozzles and valves carry a ten (10) year warranty. Scene Star Lights carry a (6) year warranty. Weldon products have a two (2) year warranty from date of manufacture (excluding consumable components). Select Weldon LED products carry a five (5) year warranty. Honda products have the manufacturers' warranty and Akron Brass disclaims any warranty in respect of those products.

Parts List Sheet:

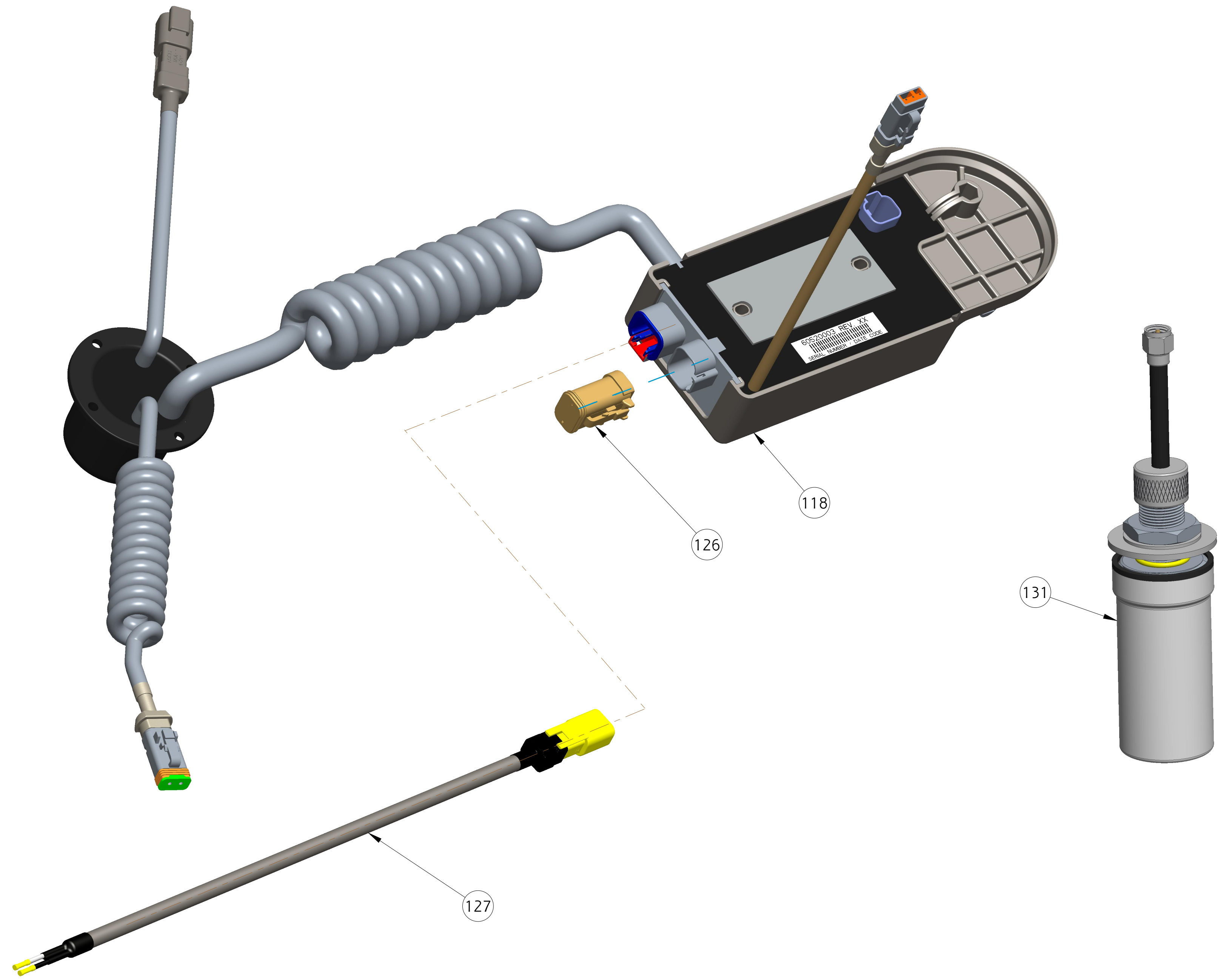
123965



TECHNICAL SERVICE PARTS
 STYLE 3480, 3482
 PRODUCT STREAMMASTER II

IF AN ITEM IS NOTED AS "NOT FIELD REPAIRABLE", OR YOU WISH TO RETURN AN ITEM TO AKRON BRASS FOR SERVICE PLEASE GO ONLINE TO, ONLINEREPAIR.AKRONBRASS.COM

Chg.	Date
23	05-19
24	08-19



PHONE: 330.264.5678 or 800.228.1161 | FAX: 330.264.2944 or 800.531.7335 | www.akronbrass.com

WARRANTY AND DISCLAIMER*: We warrant Akron Brass products for a period of five (5) years* after purchase against defects in materials or workmanship. Akron Brass will repair or replace product which fails to satisfy this warranty. Repair or replacement shall be at the discretion of Akron Brass. Products must be promptly returned to Akron Brass for warranty service. We will not be responsible for: wear and tear; any improper installation, use, maintenance or storage; negligence of the owner or user; repair or modification after delivery; failure to follow our instructions or recommendations; or anything else beyond our control. WE MAKE NO WARRANTIES, EXPRESS OR IMPLIED, OTHER THAN THOSE INCLUDED IN THIS WARRANTY STATEMENT, AND WE DISCLAIM ANY IMPLIED WARRANTY OF MERCHANTABILITY OR FITNESS FOR ANY PARTICULAR PURPOSE. Further, we will not be responsible for any consequential, incidental or indirect damages (including, but not limited to, any loss of profits) from any cause whatsoever. No person has authority to change this warranty. *Unless otherwise provided herein. Akron Brass industrial electronic components & the Severe-Duty Monitor have a one (1) year warranty. Select Akron Brass handline nozzles and valves carry a ten (10) year warranty. Scene Star Lights carry a (6) year warranty. Weldon products have a two (2) year warranty from date of manufacture (excluding consumable components). Select Weldon LED products carry a five (5) year warranty. Honda products have the manufacturers' warranty and Akron Brass disclaims any warranty in respect of those products.
 © 2016 Akron Brass Company. All rights reserved. No portion of this can be reproduced without the express written consent of the Akron Brass Company.

Parts List Sheet:
123965
 D46488

