



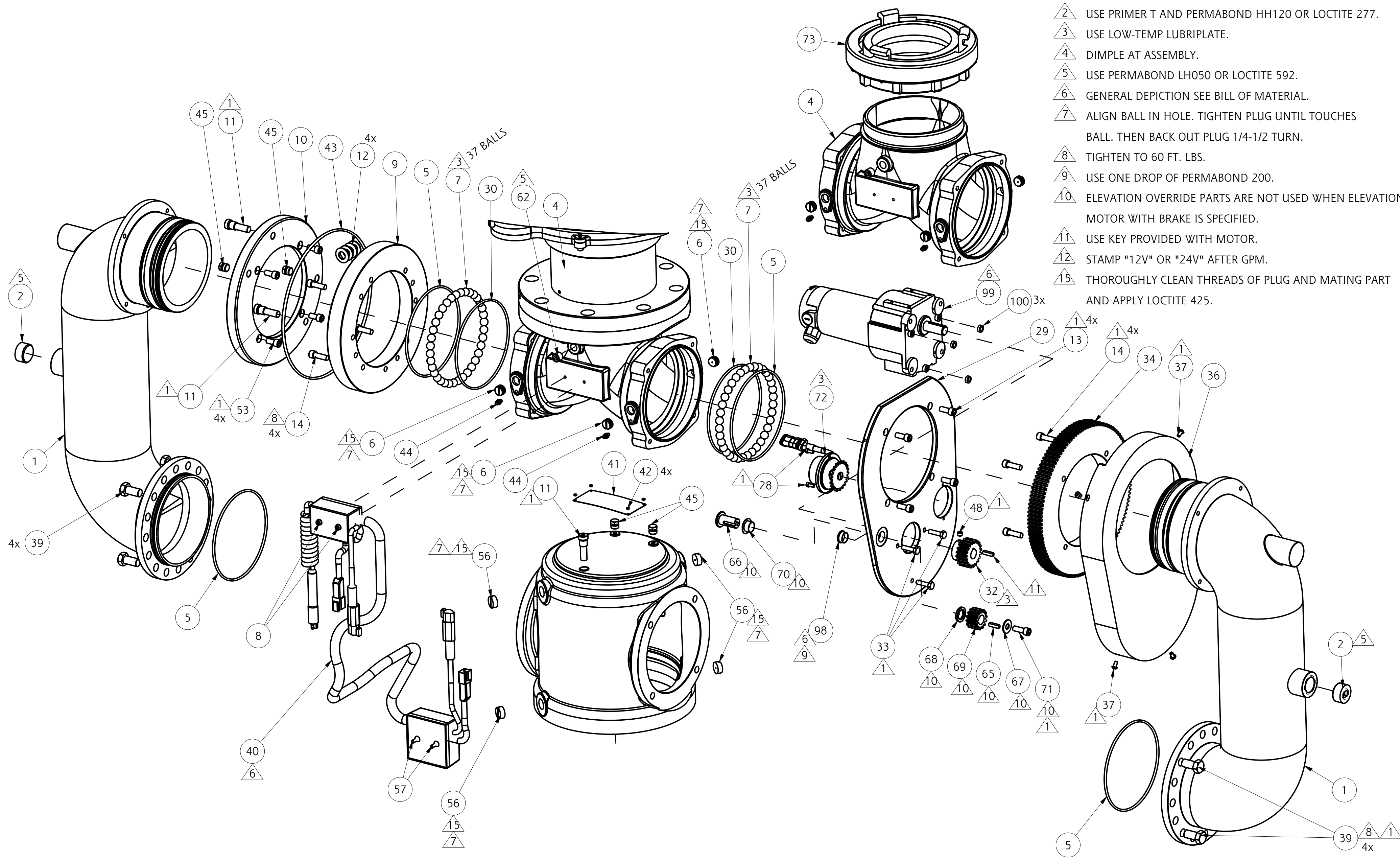
TECHNICAL SERVICE PARTS

STYLE 3580  
PRODUCT RENEGADE MONITOR

Chg.	Date
15	06-16
16	01-17

ASSEMBLY NOTES:  
USE PARKER O-LUBE ON ALL O-RINGS AND MATING SURFACES UNLESS OTHERWISE NOTED.

- 1 USE PERMABOND LM113 OR LOCTITE 222.
- 2 USE PRIMER T AND PERMABOND HH120 OR LOCTITE 277.
- 3 USE LOW-TEMP LUBRIPLATE.
- 4 DIMPLE AT ASSEMBLY.
- 5 USE PERMABOND LH050 OR LOCTITE 592.
- 6 GENERAL DEPICTION SEE BILL OF MATERIAL.
- 7 ALIGN BALL IN HOLE. TIGHTEN PLUG UNTIL TOUCHES BALL. THEN BACK OUT PLUG 1/4-1/2 TURN.
- 8 TIGHTEN TO 60 FT. LBS.
- 9 USE ONE DROP OF PERMABOND 200.
- 10 ELEVATION OVERRIDE PARTS ARE NOT USED WHEN ELEVATION MOTOR WITH BRAKE IS SPECIFIED.
- 11 USE KEY PROVIDED WITH MOTOR.
- 12 STAMP "12V" OR "24V" AFTER GPM.
- 15 THOROUGHLY CLEAN THREADS OF PLUG AND MATING PART AND APPLY LOCTITE 425.



PHONE: 330.264.5678 or 800.228.1161 | FAX: 330.264.2944 or 800.531.7335 | www.akronbrass.com

Parts List Sheet:

119292

WARRANTY AND DISCLAIMER\*: We warrant Akron Brass products for a period of five (5) years\* after purchase against defects in materials or workmanship. Akron Brass will repair or replace product which fails to satisfy this warranty. Repair or replacement shall be at the discretion of Akron Brass. Products must be promptly returned to Akron Brass for warranty service. We will not be responsible for: wear and tear; any improper installation, use, maintenance or storage; negligence of the owner or user; repair or modification after delivery; failure to follow our instructions or recommendations; or anything else beyond our control. WE MAKE NO WARRANTIES, EXPRESS OR IMPLIED, OTHER THAN THOSE INCLUDED IN THIS WARRANTY STATEMENT, AND WE DISCLAIM ANY IMPLIED WARRANTY OF MERCHANTABILITY OR FITNESS FOR ANY PARTICULAR PURPOSE. Further, we will not be responsible for any consequential, incidental or indirect damages (including, but not limited to, any loss of profits) from any cause whatsoever. No person has authority to change this warranty. \*Unless otherwise provided herein. Akron Brass industrial electronic components & the Severe-Duty Monitor have a one (1) year warranty. Select Akron Brass handline nozzles and valves carry a ten (10) year warranty. Scene Star Lights carry a (6) year warranty. Weldon products have a two (2) year warranty from date of manufacture (excluding consumable components). Select Weldon LED products carry a five (5) year warranty. Honda products have the manufacturers' warranty and Akron Brass disclaims any warranty in respect of those products.

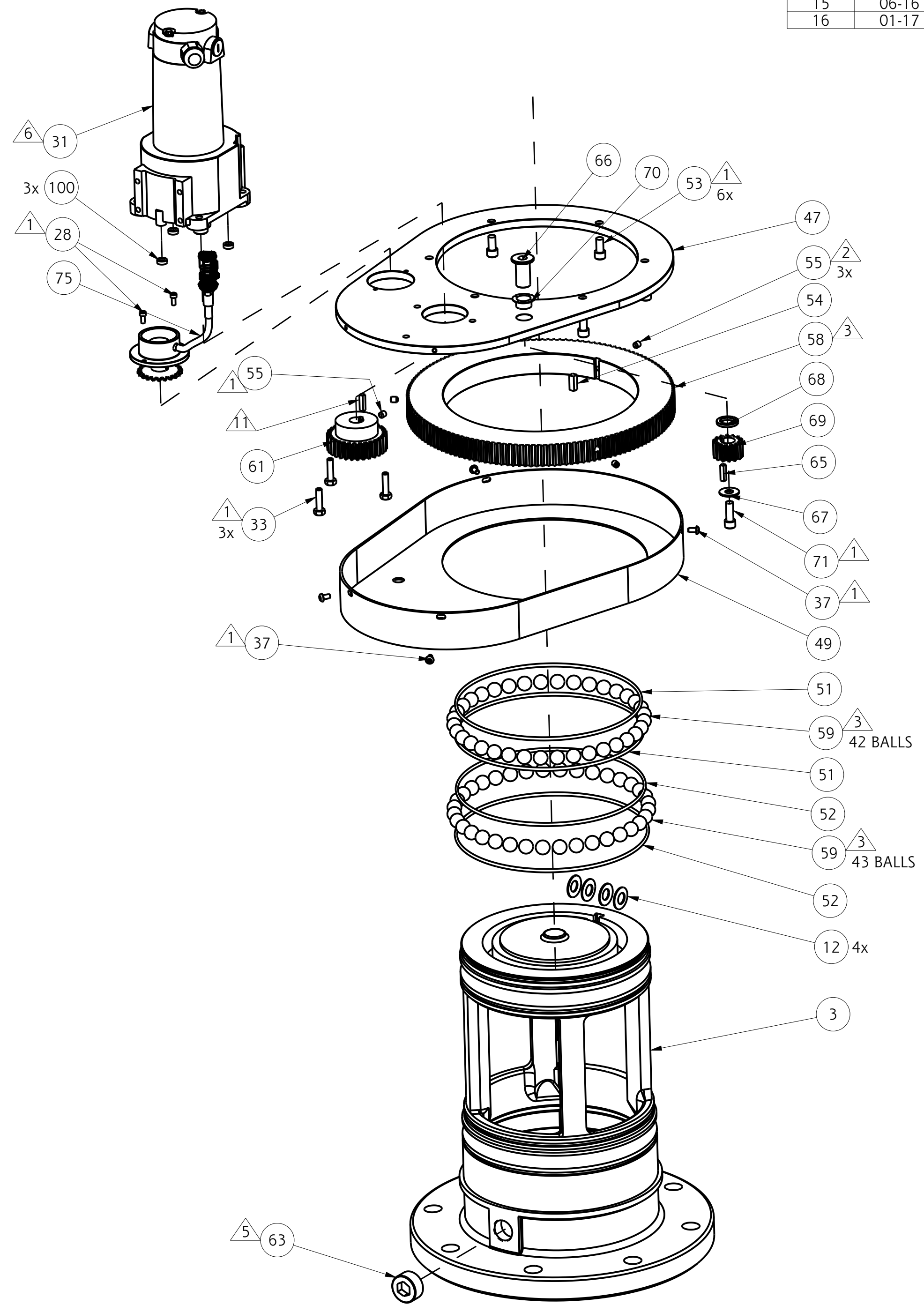
© 2016 Akron Brass Company. All rights reserved. No portion of this can be reproduced without the express written consent of the Akron Brass Company.

Chg.	Date
15	06-16
16	01-17

ASSEMBLY NOTES:

USE PARKER O-LUBE ON ALL O-RINGS AND MATING SURFACES UNLESS OTHERWISE NOTED.

- ① USE PERMABOND LM113 OR LOCTITE 222.
- ② USE PRIMER T AND PERMABOND HH120 OR LOCTITE 277.
- ③ USE LOW-TEMP LUBRIPLATE.
- ④ DIMPLE AT ASSEMBLY.
- ⑤ USE PERMABOND LH050 OR LOCTITE 592.
- ⑥ GENERAL DEPICTION SEE BILL OF MATERIAL.
- ⑦ ALIGN BALL IN HOLE. TIGHTEN PLUG UNTIL TOUCHES BALL. THEN BACK OUT PLUG 1/4-1/2 TURN.
- ⑧ TIGHTEN TO 60 FT. LBS.
- ⑨ USE ONE DROP OF PERMABOND 200.
- ⑩ ELEVATION OVERRIDE PARTS ARE NOT USED WHEN ELEVATION MOTOR WITH BRAKE IS SPECIFIED.
- ⑪ USE KEY PROVIDED WITH MOTOR.
- ⑫ STAMP "12V" OR "24V" AFTER GPM.  
FOR U1 VERSION.  
FOR U2 VERSION.
- ⑮ THOROUGHLY CLEAN THREADS OF PLUG AND MATING PART AND APPLY LOCTITE 425.



PHONE: 330.264.5678 or 800.228.1161 | FAX: 330.264.2944 or 800.531.7335 | www.akronbrass.com

**WARRANTY AND DISCLAIMER\*:** We warrant Akron Brass products for a period of five (5) years\* after purchase against defects in materials or workmanship. Akron Brass will repair or replace product which fails to satisfy this warranty. Repair or replacement shall be at the discretion of Akron Brass. Products must be promptly returned to Akron Brass for warranty service. We will not be responsible for: wear and tear; any improper installation, use, maintenance or storage; negligence of the owner or user; repair or modification after delivery; failure to follow our instructions or recommendations; or anything else beyond our control. WE MAKE NO WARRANTIES, EXPRESS OR IMPLIED, OTHER THAN THOSE INCLUDED IN THIS WARRANTY STATEMENT, AND WE DISCLAIM ANY IMPLIED WARRANTY OF MERCHANTABILITY OR FITNESS FOR ANY PARTICULAR PURPOSE. Further, we will not be responsible for any consequential, incidental or indirect damages (including, but not limited to, any loss of profits) from any cause whatsoever. No person has authority to change this warranty. \*Unless otherwise provided herein. Akron Brass industrial electronic components & the Severe-Duty Monitor have a one (1) year warranty. Select Akron Brass handline nozzles and valves carry a ten (10) year warranty. Scene Star Lights carry a (6) year warranty. Weldon products have a two (2) year warranty from date of manufacture (excluding consumable components). Select Weldon LED products carry a five (5) year warranty. Honda products have the manufacturers' warranty and Akron Brass disclaims any warranty in respect of those products.

Parts List Sheet:

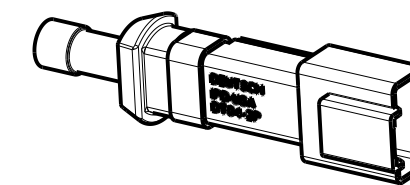
119292

Find	Description	Item	QTY
1	ELBOW MAIN	119194	2
2	PLUG PIPE SQUARE SOCKET 1"NPT	744286	2
3	INLET SWIVEL	119195	1
4	OUTLET 6" BSP THREAD	119266	1
4	OUTLET 6" FLANGE	119196	1
5	O-RING 2-256	757250	4
6	PLUG SWIVEL	742090	4
7	* BALL BRASS 1/2"	703383	74
8	SCREW SOCKET HEAD CAP #10-24 x 1-3/4"	767126	2
9	PLATE STOP	119200	1
10	PLATE STOP ADJUSTABLE	119204	1
11	STOP (90° UNIT)	770294	4
11	STOP (45° OR 22.5° UNIT)	770294	3
12	SPRING BELLEVILLE	769276	8
13	SCREW SOCKET HEAD CAP 5/16-18 x 3/4"	763042	4
14	SCREW SOCKET HEAD CAP 5/16-18 x 1"	766036	8
28	SCREW SOCKET HEAD #8-32 x 3/8"	765064	4
29	BRACKET ELEVATION GEARMOTOR	119201	1
30	O-RING 2-255	757338	2
31	MOTOR S/A 12 VOLT -DEUTSCH PLUG -HORIZONTAL	35800053	1
31	MOTOR S/A 24 VOLT -DEUTSCH PLUG -HORIZONTAL	35800054	1
31	MOTOR S/A 12 VOLT -U2 -DEUTSCH RECEPTACLE-HORIZONTAL	35802005	1
31	MOTOR S/A 24 VOLT -U2 -DEUTSCH RECEPTACLE-HORIZONTAL	35802004	1
32	GEAR ELEVEVATION	718214	1
33	SCREW HEX HEAD CAP 1/4-20 x 1"GR8	761101	6
34	GEAR ELEVATION	119205	1
36	COVER ELEVATION GEARMOTOR	707449	1
37	SCREW BUTTON HEAD CAP #10-24 x 3/8	765143	8
39	SCREW HEX HEAD CAP 1/2-13 x 1"	761045	8
40	HARNESS WIRING 8' RENEGADE 3580	721388	1
40	HARNESS WIRING 8' RENEGADE 3580 -U2	721557	1
41	PLATE IDENTIFICATION	742146	1
42	NAIL GRIP	736052	4
43	O-RING 2-272	757394	1
44	FITTING GREASE 3/16 PRESSFIT	713191	4
45	PLUG 1/2-20 x 1/2"	744337	3
47	BRACKET ROTATIONAL GEARMOTOR	119206	1
48	SCREW SOCKET HEAD CUP POINT SET 5/16-18 x 1/4"	765071	1
49	COVER ROTATIONAL GEARMOTOR	707450	1
50	TURRET INLET	119197	1
51	O-RING 2-266	757395	2
52	O-RING 2-267	757396	2
53	SCREW SOCKET HEAD CAP 5/16-18 x 5/8"	767016	10
54	KEY	727049	1
55	SCREW SOCKET HEAD CUP POINT SET 1/4-20 x 1/4"	765002	4
56	PLUG SWIVEL	745140	4
57	SCREW SOCKET HEAD CAP #10-24 x 2"	763077	2
58	GEAR ROTATION	119203	1
59	BALL BRONZE 5/8"	704723	85

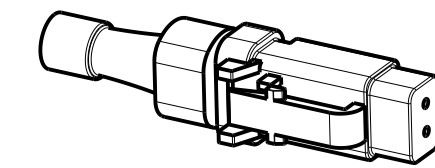
Find	Description	Item	QTY
61	GEAR ROTATION PINION	718216	1
62	PLUG SOCKET HEAD PIPE	744011	1
63	PLUG SOCKET HEAD PIPE	744018	1
65	KEY 3/16 x 3/16 x 3/4"	727046	2
66	** SHAFT OVERRIDE	769695	1
67	** WASHER .878OD x .364ID x .06W	784109	1
68	** WASHER THRUST	784149	1
69	** GEAR OVERRIDE	718218	1
70	** BEARING NYLINER	704736	1
71	** SCREW SOCKET HEAD CAP W/NYLON PATCH 5/16-18 x 7/8"	767121	1
72	POTENTIOMETER ELEVATION FEEDBACK	35800002	1
72	POTENTIOMETER ELEVATION FEEDBACK-U2	35802000	1
73	FITTING 150mm x 6"BSP	116897	1
74	SCREW SOCKET SET NYLOCK 1/4-20 x 5/16"	766015	1
75	POTENTIOMETER ROTATION FEEDBACK	35800003	1
75	POTENTIOMETER ROTATION FEEDBACK-U2	35802000	1
98	PLUG-PUSH IN-11/16" DIA	742244	1
99	MOTOR S/A 12 VOLT - DEUTSCH PLUG -ELEVATION -BRAKE	35800051	1
99	MOTOR S/A 24 VOLT - DEUTSCH PLUG -ELEVATION -BRAKE	35800052	1
99	MOTOR S/A 12 VOLT-U2-DEUTSCH RECEPTACLE-ELEV-BRAKE	35802003	1
99	MOTOR S/A 24 VOLT-U2-DEUTSCH RECEPTACLE-ELEV-BRAKE	35802002	1
100	SPACER	769676	6

\* KIT OF 50 BALLS: 116252

\*\* ELEVATION OVERRIDE PARTS ARE NOT USED WHEN ELEVATION MOTOR WITH BRAKE IS SPECIFIED.



DEUTSCH CONNECTOR (RECEPTACLE)



DEUTSCH PLUG

PHONE: 330.264.5678 or 800.228.1161 | FAX: 330.264.2944 or 800.531.7335 | www.akronbrass.com

Parts List Sheet:

119292

WARRANTY AND DISCLAIMER\*: We warrant Akron Brass products for a period of five (5) years\* after purchase against defects in materials or workmanship. Akron Brass will repair or replace product which fails to satisfy this warranty. Repair or replacement shall be at the discretion of Akron Brass. Products must be promptly returned to Akron Brass for warranty service. We will not be responsible for: wear and tear; any improper installation, use, maintenance or storage; negligence of the owner or user; repair or modification after delivery; failure to follow our instructions or recommendations; or anything else beyond our control. WE MAKE NO WARRANTIES, EXPRESS OR IMPLIED, OTHER THAN THOSE INCLUDED IN THIS WARRANTY STATEMENT, AND WE DISCLAIM ANY IMPLIED WARRANTY OF MERCHANTABILITY OR FITNESS FOR ANY PARTICULAR PURPOSE. Further, we will not be responsible for any consequential, incidental or indirect damages (including, but not limited to, any loss of profits) from any cause whatsoever. No person has authority to change this warranty. \*Unless otherwise provided herein. Akron Brass industrial electronic components & the Severe-Duty Monitor have a one (1) year warranty. Select Akron Brass handline nozzles and valves carry a ten (10) year warranty. Scene Star Lights carry a (6) year warranty. Weldon products have a two (2) year warranty from date of manufacture (excluding consumable components). Select Weldon LED products carry a five (5) year warranty. Honda products have the manufacturers' warranty and Akron Brass disclaims any warranty in respect of those products.

© 2016 Akron Brass Company. All rights reserved. No portion of this can be reproduced without the express written consent of the Akron Brass Company.