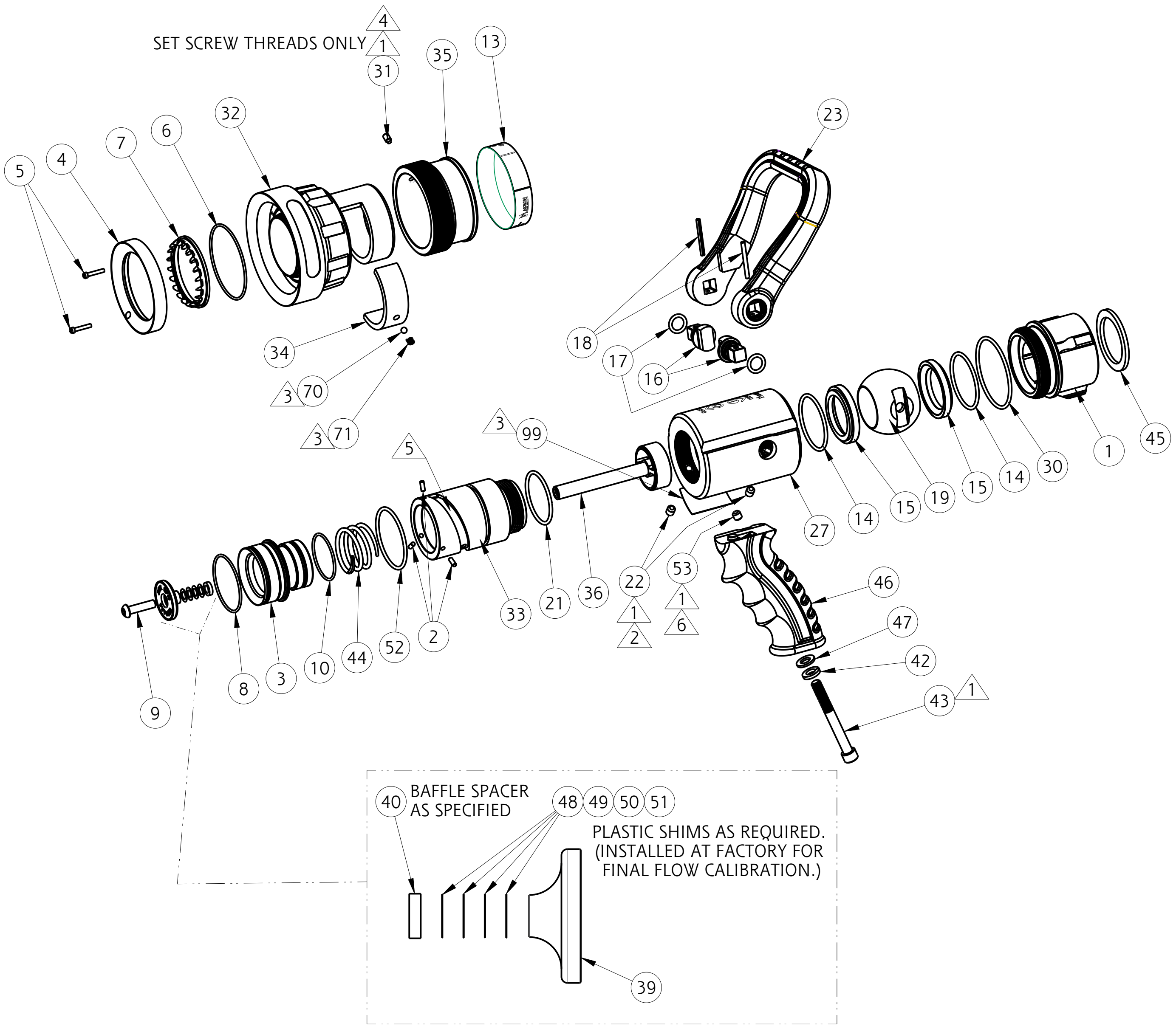


- ASSEMBLY NOTES:
- USE PARKER O-LUBE ON ALL O-RINGS AND MATING SURFACES UNLESS OTHERWISE NOTED.
 - DO NOT CUT TURBINE TEETH.
 - 1** USE PERMABOND LM113 OR LOCTITE 222.
 - 2** DIMPLE AT ASSEMBLY.
 - 3** AS SPECIFIED FOR EN(CE) DETENT VERSIONS. BUMPER TO BE ORIENTED WITH RAISED LUG STRAIGHT UP IN NARROW FOG.
 - 4** TIGHTEN SCREW.
 - 5** USE LOW-TEMP LUBRIPLATE.
 - 6** USED WHEN PISTOL GRIP IS NOT INSTALLED.





TECHNICAL SERVICE PARTS

STYLE 4863

PRODUCT MID-RANGE ASSAULT NOZZLES

IF AN ITEM IS NOTED AS "NOT FIELD REPAIRABLE", OR YOU WISH TO RETURN AN ITEM TO AKRON BRASS FOR SERVICE PLEASE GO ONLINE TO, **ONLINEREPAIR.AKRONBRASS.COM**

Chg.	Date
00	09-18
01	05-19

Find		Description	Item	QTY
1	***	SWIVEL ASSEMBLY 1.50"NH	45154001	1
1	***	SWIVEL ASSEMBLY 1.50"NPSH	45154002	1
1	***	SWIVEL ASSEMBLY 1.50"BSP	45154003	1
2		PIN RETAINING	744178	3
3		THROAT	127189	1
4		RETAINER TURBINE	758354	1
5		SCREW SOCKET HEAD CAP 4-40 x 5/8"	767094	2
6		O-RING 2-036	757309	1
7	A	TEETH TURBINE	772153	1
8		O-RING 2-031	757517	1
9		SCREW SOCKET BUTTON HEAD CAP 1/4-20 x 1"	765182	1
10		O-RING 2-028	757341	1
13		BAND PATTERN INDICATOR 4820	803346	1
13		BAND PATTERN INDICATOR 4863	803347	1
14	A	O-RING 2-132	757422	2
15	A	SEAT NOZZLE	769243	2
16		TRUNNION	127178	2
17	A	O-RING 2-111	757269	2
18	C	PIN ROLL 1/8" x 1-1/4"	744062	2
19	A	BALL CELCON 2.5"	704029	1
21		O-RING 2-130	757232	1
22		SCREW SOCKET HEAD CUP POINT SET 1/4-20 x 1/4"	765002	2
23	C	HANDLE SHUTOFF BLACK 2.5"	721761	1
27		BODY SHUTOFF	127180	1
30	A	O-RING 2-140	757265	1
31		SCREW SOCKET HEAD FULL DOG SET 10-24 x 5/16"	767088	1
32		PATTERN SLEEVE/BUMPER ASSEMBLY	48634004	1
33		BODY NOZZLE	127191	1
34		INSERT CAM	124270	1
35		RING PATTERN SLEEVE 1"	758337	1
36		STEM/SPIDER S/A	127183	1
39	**	BAFFLE HEAD 1.5"	-	1

Find		Description	Item	QTY
40	**	SPACER FLOW	-	1
42	B	WASHER LOCK 5/16"	784090	1
43	B	SCREW SOCKET HEAD CAP 5/16-18 X 2-3/4"	765397	1
44		SPRING	769629	1
45	A,*	GASKET 1.5"NH	717042	1
46	B	GRIP PISTOL BLACK	718330	-
47	B	WASHER FLAT 5/16"	784093	1
48	+	SHIM BLUE	-	1
49	+	SHIM BROWN	-	1
50	+	SHIM PINK	-	1
51	+	SHIM GREEN	-	1
52		O-RING 2-132	757268	2
53		SCREW SOCKET HEAD CUP POINT SET 5/16-18 X 1/4"	765071	1
70		BALL 3/16" STAINLESS STEEL	704018	1
71		SPRING DETENT	768283	1
99		LABEL FM APPROVED	729669	1
A		FIELD SERVICE KIT	91790001	
B		KIT SERVICE PISTOL GRIP W/COLOR CLIPS	90040001	
C		KIT SERVICE 2.5" BALE W/COLOR CLIPS	90050001	
D		KIT SERVICE BALE AND PISTOL GRIP COLOR CLIPS ONLY	90070001	

* GASKETS ALSO INCLUDED IN SWIVEL ASSEMBLIES ITEM 1.
 ** TO REPLACE FLOW SPACERS OR BAFFLE HEAD, CONTACT CUSTOMER SERVICE.
 *** FOR OTHER THREADS, ORDER BY DESCRIPTION AND THREAD SIZE (ODM AND TPI) OR BY AKRON THREAD CODE.
 + SHIMS INSTALLED AT FACTORY AS NEEDED FOR FINAL FLOW CALIBRATION
 ### FOR OTHER AVAILABLE OPTIONS, INLET ADAPTERS AND KITS
 GO TO akronbrass.com - REFERENCE DOCUMENT 127762

PHONE: 330.264.5678 or 800.228.1161 | FAX: 330.264.2944 or 800.531.7335 | www.akronbrass.com

Parts List Sheet:

127187

WARRANTY AND DISCLAIMER*: We warrant Akron Brass products for a period of five (5) years* after purchase against defects in materials or workmanship. Akron Brass will repair or replace product which fails to satisfy this warranty. Repair or replacement shall be at the discretion of Akron Brass. Products must be promptly returned to Akron Brass for warranty service. We will not be responsible for: wear and tear; any improper installation, use, maintenance or storage; negligence of the owner or user; repair or modification after delivery; failure to follow our instructions or recommendations; or anything else beyond our control. WE MAKE NO WARRANTIES, EXPRESS OR IMPLIED, OTHER THAN THOSE INCLUDED IN THIS WARRANTY STATEMENT, AND WE DISCLAIM ANY IMPLIED WARRANTY OF MERCHANTABILITY OR FITNESS FOR ANY PARTICULAR PURPOSE. Further, we will not be responsible for any consequential, incidental or indirect damages (including, but not limited to, any loss of profits) from any cause whatsoever. No person has authority to change this warranty. *Unless otherwise provided herein. Akron Brass industrial electronic components & the Severe-Duty Monitor have a one (1) year warranty. Select Akron Brass handline nozzles and valves carry a ten (10) year warranty. Scene Star Lights carry a (6) year warranty. Weldon products have a two (2) year warranty from date of manufacture (excluding consumable components). Select Weldon LED products carry a five (5) year warranty. Honda products have the manufacturers' warranty and Akron Brass disclaims any warranty in respect of those products.
 © 2016 Akron Brass Company. All rights reserved. No portion of this can be reproduced without the express written consent of the Akron Brass Company.