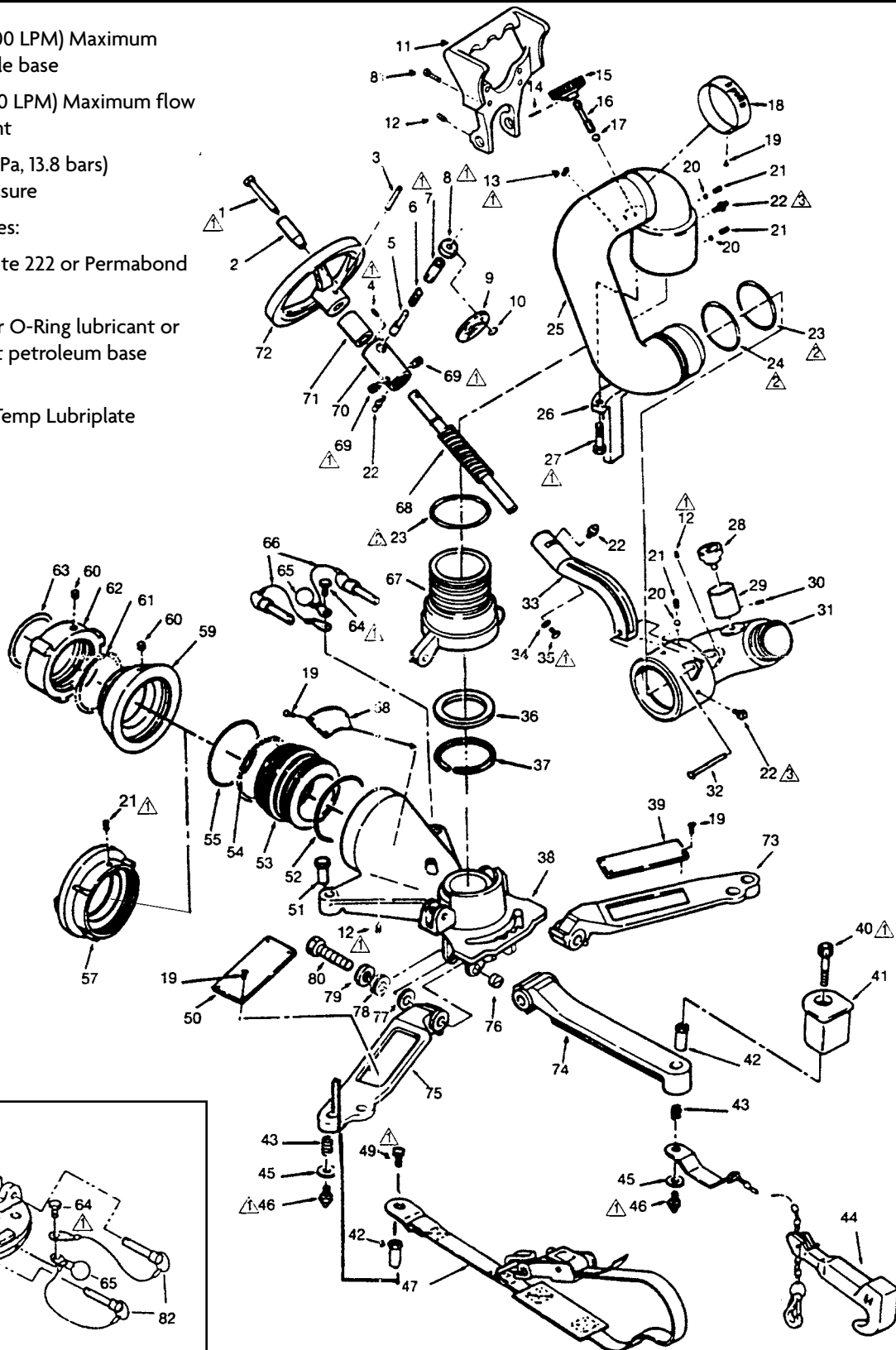


1000 GPM (3800 LPM) Maximum
flow in portable base
1250 GPM (4750 LPM) Maximum flow
in Direct Mount
200 PSI (1380 kPa, 13.8 bars)
Maximum Pressure

Assembly Notes:

- ▲ Use Loc-tite 222 or PermaBond LM113
- ▲ Use Parker O-Ring lubricant or equivalent petroleum base lubricant
- ▲ Use Low-Temp Lubriplate



48
STYLE 3416
FLANGE MOUNT ASSEMBLY



**STYLE 3414 and 3416
Apollo™ S. I. Monitor
with Fold Away Legs
TECHNICAL SERVICE PARTS LIST**

Item No.	Description	Part Number	3414	3416
1	Spinner Pin††	744220	1	1
2	Spinner	721204	1	1
3	Roll Pin	744076	1	1
4	Set Screw††	765025	1	1
5	Plunger Pin	741043	1	1
6	Plunger Spring	768150	1	1
7	Plunger Pin Housing††	109207	1	1
8	Plunger Hand Wheel††	101701	1	1
9	Warning Tag (Plunger Pin)*	773210	1	1
10	Key Ring	758142	1	1
11	Handle	104412	1	1
12	Set Screw††	765108	3	3
14	Roll Pin	744066	1	1
15	Brake Knob††	109189	1	1
16	Brake Shaft	768236	1	1
17	Brake Ball	703211	1	1
18	Identification Band	744269	1	1
19	Grip Nail	736045	4	4
20	Ball Bearings	**	180	180
21	Swivel Plug	742023	4	4
22	Grease Fitting	713192	4	4
23	O-Ring	757035	2	2
24	O-Ring	757149	1	1
25	Gooseneck	104406	1	1
26	Rotational Stop	115829	1	1
27	Hex Head Screw††	766036	2	2
28	Gauge (PSI)	718132	1	1
28	Gauge (bar)	718134	1	1
28	Gauge (kPa)	718133	1	1
29	Gauge Guard	718156	1	1
30	Soc Head Set Screw	765042	3	3
31	Outlet Elbow	104405	1	1
32	Elevation Pin	744279	1	1
33	Elevation Arm	104391	1	1
34	Flat Washer	784051	2	2
35	Hex Head Screw††	765094	1	1
36	Vee Gasket	714173	1	1
37	Retaining Ring	758216	1	1
38	Apollo FL Inlet	115787	1	1
39	Warning Tag (Safety Chain)*	744309	1	1
40	Socket Head Cap Screw††	767117	1	1
41	Hose Stop	104351	1	1
42	Sleeve	769303	3	3
43	Spring	768191	5	5
44	Anchor Chain Assy	34100001	1	1
45	Flat Washer	784068	5	5

Item No.	Description	Part Number	3414	3416
46	Ground Spike††	706265	5	5
47	Hose Strap	769344	2	2
48	Flange Mount (3" 150#)	104337	-	1
49	Hex Head Screw††	761065	2	2
50	Warning Tag (Tip Pressure)*	773170	1	1
51	Sleeve	769302	2	2
52	O-Ring	757250	1	1
53	Storz Adapter 4"	116510	1	1
53	Storz Adapter 5"	116509	1	1
53	Swivel Adapter	104341	1	1
54	Ball Bearings	**	69	69
55	O-Ring 4"	757337	1	1
55	O-Ring 5"	757078	1	1
57	Storz Head 4"	713205	1	1
57	Storz Head 5"	713206	1	1
58	ID Plate	744370	1	1
59	4" Swivel Adapter	104343	1	1
59	4 1/2" Swivel Adapter	104344	1	1
59	5" Swivel Adapter	104345	1	1
60	Swivel Plug	742023	2	2
61	Ball Bearings – 4"	**	58	58
61	Ball Bearings – 4 1/2"	**	69	69
61	Ball Bearings – 5"	**	72	72
62	4" Swivel NH†	104015	1	1
62	4 1/2" Swivel NH†	104016	1	1
62	5" Swivel NH†	104017	1	1
63	Swivel Gasket 4"	7-14-024	1	1
63	Swivel Gasket 4 1/2"	7-14-025	1	1
63	Swivel Gasket 5"	7-14-026	1	1
64	Hex Head Screw††	7-61-066	1	1
65	Warning Tags (Lock Pins)*	7-73-135	1	1
66	Lock Pin with Lanyard	109023	2	2
67	Inlet Connector	104404	1	1
68	Adjustment Screw	104396	1	1
69	Cam Adjuster††	104357	2	2
70	Adjustment Nut	109178	1	1
71	Stop Sleeve	769138	1	1
72	Handwheel	109016	1	1
73	Left Leg	107718	1	1
74	Center Leg	107008	1	1
75	Right Leg	107001	1	1
76	Tension Nut	735048	3	3
77	Norkalon Flat Washer	784099	3	3
78	Steel Flat Washer	784100	3	3
79	Steel Belleville Washer	784071	3	3
80	Hex Head Screw	761073	3	3
81	Socket Head Cap Screw	767048	4	4
82	Lock Pin with Lanyard	109258	-	2

††For other threads order by description and thread size (ODM and TPI) or by Akron Thread Code

*Warning Tag part numbers are for English versions. Consult factory for other languages

**Packet of 50 Ball Bearings P/N 109041

††Use Locktite 222® or Permabond® LM113 when assembling

‡‡Use Locktite 277® or Permabond® HH120 when assembling



PHONE: 330.264.5678 or 800.228.1161 | FAX: 330.264.2944 or 800.531.7335 | akronbrass.com

REVISED: 8/11

WARRANTY AND DISCLAIMER: We warrant Akron Brass products for a period of five (5) years after purchase against defects in materials or workmanship. Akron Brass will repair or replace product which fails to satisfy this warranty. Repair or replacement shall be at the discretion of Akron Brass. Products must be promptly returned to Akron Brass for warranty service.

We will not be responsible for: wear and tear; any improper installation, use, maintenance or storage; negligence of the owner or user; repair or modification after delivery; damage; failure to follow our instructions or recommendations; or anything else beyond our control. WE MAKE NO WARRANTIES, EXPRESS OR IMPLIED, OTHER THAN THOSE INCLUDED IN THIS WARRANTY STATEMENT, AND WE DISCLAIM ANY IMPLIED WARRANTY OF MERCHANTABILITY OR FITNESS FOR ANY PARTICULAR PURPOSE. Further, we will not be responsible for any consequential, incidental or indirect damages (including, but not limited to, any loss of profits) from any cause whatsoever. No person has authority to change this warranty.

© Akron Brass Company. 2011 All rights reserved. No portion of this can be reproduced without the express written consent of Akron Brass Company.