



TECHNICAL SERVICE PARTS
STYLE 5177
PRODUCT 1250 GPM ELECTRIC AKROMATIC

IF AN ITEM IS NOTED AS "NOT FIELD REPAIRABLE", OR YOU WISH TO RETURN AN ITEM TO AKRON BRASS FOR SERVICE PLEASE GO ONLINE TO, ONLINEREPAIR.AKRONBRASS.COM

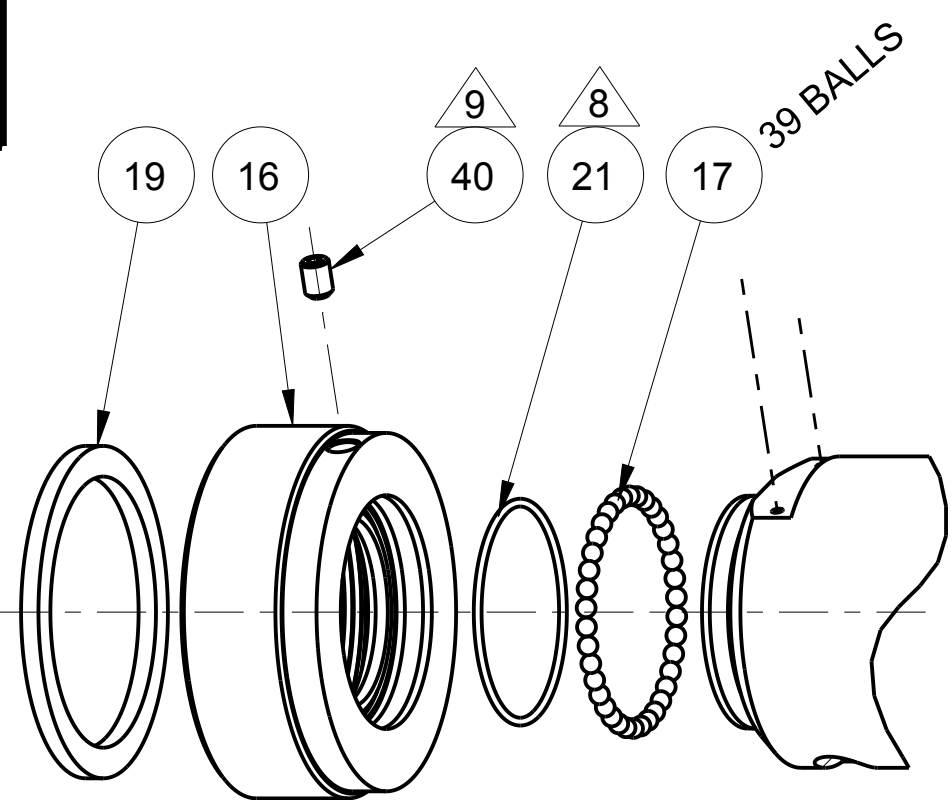
| Chg. | Date |
|------|-------|
| 14 | 10-16 |
| 15 | 07-17 |

"IMPORTANT" INSTALLATION INSTRUCTIONS

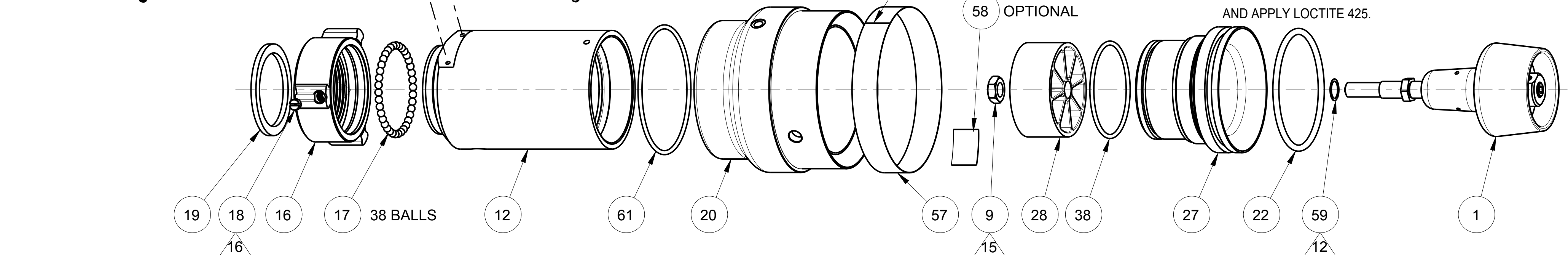
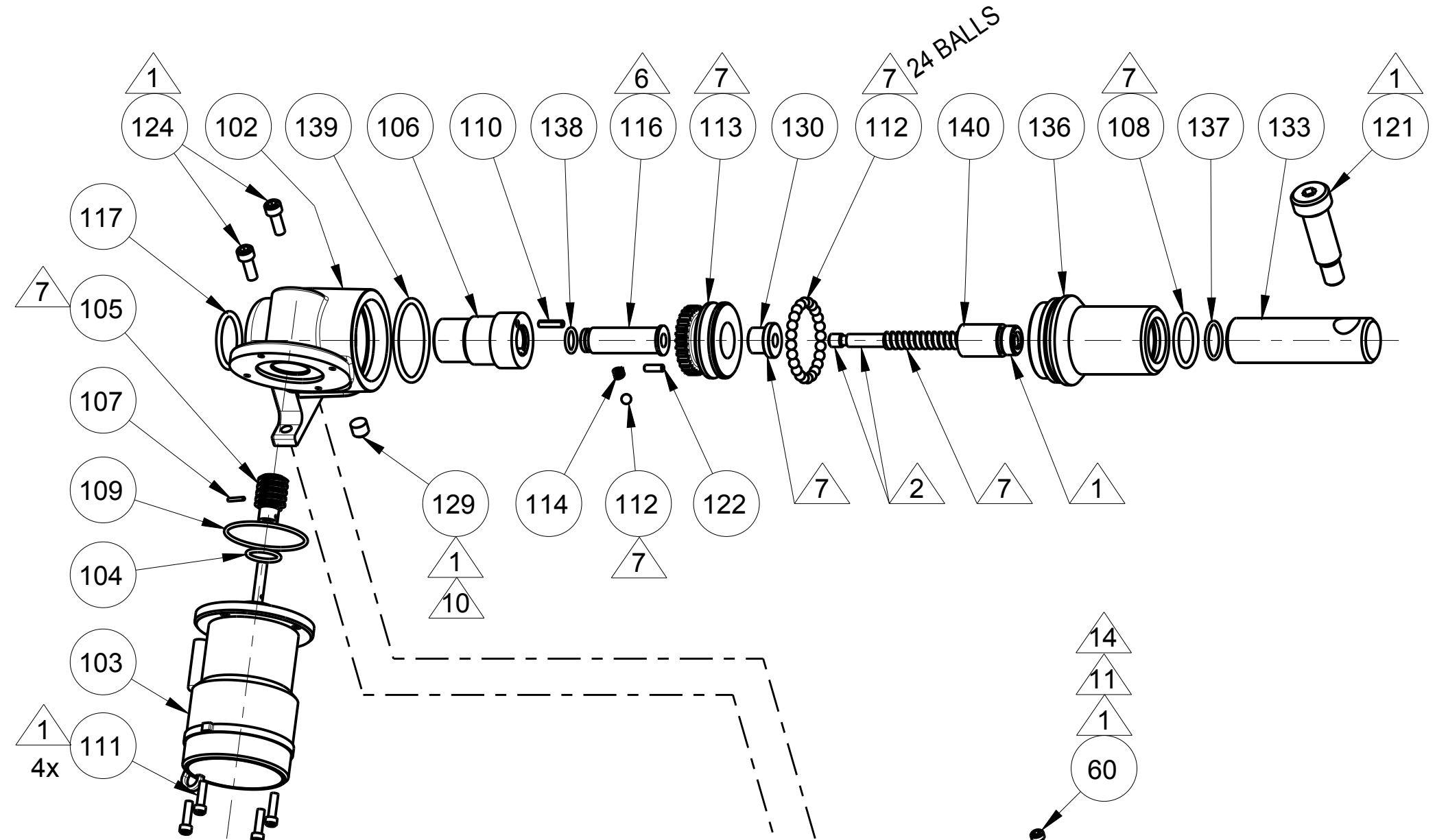
- The Style 5177 with 3 1/2" swivel must be locked in place as follows:
1. Thread the nozzle onto the monitor outlet.
 2. Rotate the motor into required location.
 3. Tighten the socket head set screw in the side of the swivel using a 3/16" hex wrench.
 4. Plug in motor connector.

MAXIMUM OPERATING PRESSURE: 200 PSI.
 FLOW RATING: 250-1000 OR 250-1250 GPM AT 80 PSI.

WARNING:
 The electrical control system must incorporate a current limiting circuitry set for a minimum of 3 amps for 12 volts (1.5 amps for 24 volts).
 Without circuitry set, motor may become inoperable if stalled during operation.



OPTIONAL 3.5 NH SWIVEL
 SEE "IMPORTANT" INSTALLATION INSTRUCTIONS



- ASSEMBLY NOTES:**
- USE PARKER O-LUBE ON ALL O-RINGS AND MATING SURFACES UNLESS OTHERWISE NOTED.
 - USE PERMABOND #LM-113 OR LOCTITE #222.
 - USE PRIMER T AND PERMABOND HH120 OR LOCTITE 277.
 - TORQUE TO 35-45 IN-LBS.
 - USE LOW-TEMP LUBRIPLATE.
 - GREASE BODY FACE (ITEM #12) AND O-RING (ITEM #21) WITH PARKER O-LUBE.
 - TIGHTEN CONE POINT SET SCREW BETWEEN TWO BALL BEARINGS UNTIL IT BOTTOMS OUT IN SWIVEL PLUG HOLE (SWIVEL SHOULD BE FIXED). THEN BACK OUT APPROX. 1 TURN UNTIL SWIVEL TURNS SMOOTHLY. THEN, STAKE THE FIRST THREAD TO PREVENT SCREW FROM BACKING OUT.
 - CENTER A BALL IN THE LOADING HOLE. SCREW IN SET SCREW UNTIL IT MAKES CONTACT WITH THE BALL. BACK OUT SET SCREW "SLIGHTLY" UNTIL SPINDLE MOVES FREELY.
 - DIMPLE AT ASSEMBLY.
 - WATER MUST BE ABLE TO DRAIN BETWEEN BAFFLE CUP (ITEM "1") AND THROAT (ITEM "27") WHEN ASSEMBLED. IF THE BAFFLE CUP IS TIGHT AGAINST THE THROAT, ADD A SECOND SHIM (ITEM "59"). (A PIECE OF PAPER SHOULD BE ABLE TO SLIDE BETWEEN THE BAFFLE CUP AND THROAT).
 - DO NOT OVERTIGHTEN.
 - APPLY PERMABOND 113 OR LOCTITE 222 ALONG SHAFT IN AREA WHERE NUT WILL BE INSTALLED. WIPE OFF EXCESS AFTER ASSEMBLING NUT.
 - THOROUGHLY CLEAN THREADS OF PLUG AND MATING PART AND APPLY LOCTITE 425.

PHONE: 330.264.5678 or 800.228.1161 | FAX: 330.264.2944 or 800.531.7335 | www.akronbrass.com

Parts List Sheet:

119732

WARRANTY AND DISCLAIMER: We warrant Akron Brass products for a period of five (5) years* after purchase against defects in materials or workmanship. Akron Brass will repair or replace product which fails to satisfy this warranty. Repair or replacement shall be at the discretion of Akron Brass. Products must be promptly returned to Akron Brass for warranty service. We will not be responsible for: wear and tear; any improper installation, use, maintenance or storage; negligence of the owner or user; repair or modification after delivery; failure to follow our instructions or recommendations; or anything else beyond our control. WE MAKE NO WARRANTIES, EXPRESS OR IMPLIED, OTHER THAN THOSE INCLUDED IN THIS WARRANTY STATEMENT, AND WE DISCLAIM ANY IMPLIED WARRANTY OF MERCHANTABILITY OR FITNESS FOR ANY PARTICULAR PURPOSE. Further, we will not be responsible for any consequential, incidental or indirect damages (including, but not limited to, any loss of profits) from any cause whatsoever. No person has authority to change this warranty. *Unless otherwise provided herein. Akron Brass industrial electronic components & the Severe-Duty Monitor have a one (1) year warranty. Select Akron Brass handline nozzles and valves carry a ten (10) year warranty. Scene Star Lights carry a (6) year warranty. Weldon products have a two (2) year warranty from date of manufacture (excluding consumable components). Select Weldon LED products carry a five (5) year warranty. Honda products have the manufacturers' warranty and Akron Brass disclaims any warranty in respect of those products.
 © 2016 Akron Brass Company. All rights reserved. No portion of this can be reproduced without the express written consent of the Akron Brass Company.



TECHNICAL SERVICE PARTS
STYLE 5177
PRODUCT 1250 GPM ELECTRIC AKROMATIC

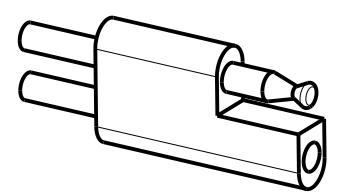
IF AN ITEM IS NOTED AS "NOT FIELD REPAIRABLE", OR YOU WISH TO RETURN AN ITEM TO AKRON BRASS FOR SERVICE PLEASE GO ONLINE TO, **ONLINEREPAIR.AKRONBRASS.COM**

| | |
|------|-------|
| Chg. | Date |
| 14 | 10-16 |
| 15 | 07-17 |

| Find | Description | Item | QTY |
|------|-------------|--|------------|
| 1 | # | BAFFLE ASSEMBLY - 1250GPM | 51600001 1 |
| 1 | # | BAFFLE ASSEMBLY - 500GPM | 51600045 1 |
| 1 | # | BAFFLE ASSEMBLY - 750GPM | 51600021 1 |
| 1 | # | BAFFLE ASSEMBLY - 1000GPM | 51600002 1 |
| 9 | I,J | NUT HEX NYLOK 1/2-13 | - 1 |
| 12 | | BODY | 120054 1 |
| 16 | ** | SWIVEL - 2 1/2" | 101420 1 |
| 16 | ** | SWIVEL - 3 1/2" | 109525 1 |
| 17 | A,C | BALL STAINLESS STEEL 1/4"OD (2 1/2" SWIVEL) | - 38 |
| 17 | A,C | BALL STAINLESS STEEL 1/4"OD (3 1/2" SWIVEL) | - 39 |
| 18 | C | PLUG SWIVEL | - 1 |
| 19 | C | GASKET (2 1/2" SWIVEL) | - 1 |
| 19 | C | GASKET (3 1/2" SWIVEL) | - 1 |
| 20 | I,J | SLEEVE PATTERN | 126552 1 |
| 21 | C | O-RING 2-149 (3 1/2" SWIVEL) | - 1 |
| 22 | C,I,J | O-RING 2-344 | - 1 |
| 27 | | THROAT | 119703 1 |
| 28 | | SHAPER STREAM | 119705 1 |
| 38 | C | O-RING 2-235 | - 1 |
| 40 | | SCREW SOCKET HEAD CONE POINT SET 1/4-20 x 1/2" | 765186 1 |
| 57 | I | BAND ID 1000GPM @ 80PSI | 704786 1 |
| 57 | J | BAND ID 1250GPM @ 80PSI | 704787 1 |
| 58 | | TAG CE | 773356 1 |
| 59 | | SHIM | - 2 |
| 60 | | SCREW ALLEN HEAD CUP POINT SET 1/4-20 x 3/16" | 765008 1 |
| 61 | C,I,J | O-RING 2-244 | - 1 |
| 102 | D | HOUSING PATTERN ACTUATOR | 119498 1 |
| 103 | | 12V MOTOR ASSEMBLY WITH SPEED CLIP | 50770028 1 |
| 103 | | 24V MOTOR ASSEMBLY WITH SPEED CLIP | 50770029 1 |
| 103 | | 12V MOTOR ASSEMBLY WITH DEUTSCH CONNECTOR | 33560006 1 |
| 103 | | 24V MOTOR ASSEMBLY WITH DEUTSCH CONNECTOR | 33560008 1 |
| 104 | C,* | O-RING 2-015 | - 1 |
| 105 | D,* | WORM PATTERN ACTUATOR | - 1 |
| 106 | D | COLLAR OVERRIDE | 119500 1 |
| 107 | * | PIN ROLL 1/16" x 3/8" | - 1 |
| 108 | C,D | O-RING 2-118 | - 1 |
| 109 | C,* | O-RING 2-029 | - 1 |
| 110 | D | PIN ROLL 1/8" x 1/2" | 744288 1 |

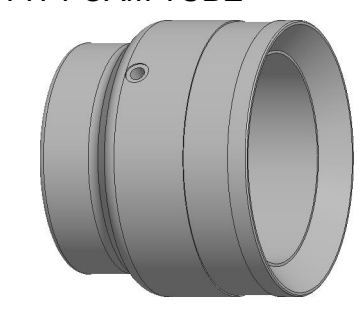
| Find | Description | Item | QTY |
|------|--|--|----------|
| 111 | * | SCREW SOCKET HEAD CAP 6-32 x 1/2" | - 4 |
| 112 | B,C,D | BALL STAINLESS STEEL 3/16" | - 25 |
| 113 | D,K | GEAR OVERRIDE ACTUATOR | - 1 |
| 114 | D | SPRING DETENT | 768283 1 |
| 116 | D,K | SHAFT OVERRIDE | - 1 |
| 117 | C,D | O-RING 2-119 | - 1 |
| 121 | D | SCREW SOCKET HEAD SHOULDER 1/2" DIA. x 1-1/4" LEN. | 767158 1 |
| 122 | D | KEY | 727050 1 |
| 124 | D | SCREW SOCKET HEAD CAP 10-24 x 5/8" | 765028 2 |
| 129 | D | SCREW SOCKET HEAD FLAT POINT 5/16-24 x 1/4" | 765134 1 |
| 130 | D | HUB OVERRIDE | 721547 1 |
| 133 | D | HOUSING BALL SCREW | 119704 1 |
| 136 | D | TUBE GUIDE | 118253 1 |
| 137 | C,D | O-RING 2-016 | - 1 |
| 138 | C,D | O-RING 2-012 | - 1 |
| 139 | C,D | O-RING 2-127 | - 1 |
| 140 | D,K | SCREW FREE WHEELING BALL | - 1 |
| A | KIT OF 50 STAINLESS STEEL 1/4" DIA. | | 123074 |
| B | KIT OF 50 STAINLESS STEEL BALLS 3/16" DIA. | | 121874 |
| C | FIELD SERVICE KIT O-RINGS/SEALS | | 90770001 |
| D | ACTUATOR SUB-ASSEMBLY | | 51770036 |
| E | MOTOR/ACTUATOR SUB ASSEMBLY: 12V SPEED CLIP | | 51770012 |
| F | MOTOR/ACTUATOR SUB ASSEMBLY: 24V SPEED CLIP | | 51770013 |
| G | MOTOR/ACTUATOR SUB ASSEMBLY: 12V DEUTSCH CONNECTOR | | 51772020 |
| H | MOTOR/ACTUATOR SUB ASSEMBLY: 24V DEUTSCH CONNECTOR | | 51772021 |
| I | 737 FOAM TUBE CONVERSION KIT: 1000GPM | | 51770040 |
| J | 737 FOAM TUBE CONVERSION KIT: 1250GPM | | 51770041 |
| K | OVERRIDE HUB ASSEMBLY REPAIR KIT | | 51770033 |

* ITEMS INCLUDED IN MOTOR ASSEMBLY FIND NUMBER 103.
 ** FOR OTHER THREADS ORDER BY DESCRIPTION AND THREAD SIZE.
 # INCLUDES ITEMS 9, 59

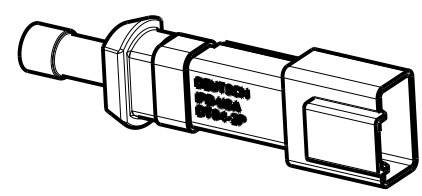
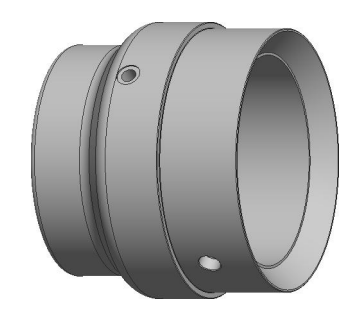


SPEED CLIP CONNECTOR

FIND 20 (P/N 119706)
 REQUIRES CONVERSION KIT
 TO FIT FOAM TUBE



FIND 20 (P/N 126552)
 NO CONVERSION KIT
 REQUIRED TO FIT FOAM TUBE



DEUTSCH CONNECTOR

PHONE: 330.264.5678 or 800.228.1161 | FAX: 330.264.2944 or 800.531.7335 | www.akronbrass.com

Parts List Sheet:

119732

WARRANTY AND DISCLAIMER*: We warrant Akron Brass products for a period of five (5) years* after purchase against defects in materials or workmanship. Akron Brass will repair or replace product which fails to satisfy this warranty. Repair or replacement shall be at the discretion of Akron Brass. Products must be promptly returned to Akron Brass for warranty service. We will not be responsible for: wear and tear; any improper installation, use, maintenance or storage; negligence of the owner or user; repair or modification after delivery; failure to follow our instructions or recommendations; or anything else beyond our control. WE MAKE NO WARRANTIES, EXPRESS OR IMPLIED, OTHER THAN THOSE INCLUDED IN THIS WARRANTY STATEMENT, AND WE DISCLAIM ANY IMPLIED WARRANTY OF MERCHANTABILITY OR FITNESS FOR ANY PARTICULAR PURPOSE. Further, we will not be responsible for any consequential, incidental or indirect damages (including, but not limited to, any loss of profits) from any cause whatsoever. No person has authority to change this warranty. *Unless otherwise provided herein. Akron Brass industrial electronic components & the Severe-Duty Monitor have a one (1) year warranty. Select Akron Brass handline nozzles and valves carry a ten (10) year warranty. Scene Star Lights carry a (6) year warranty. Weldon products have a two (2) year warranty from date of manufacture (excluding consumable components). Select Weldon LED products carry a five (5) year warranty. Honda products have the manufacturers' warranty and Akron Brass disclaims any warranty in respect of those products.
 © 2016 Akron Brass Company. All rights reserved. No portion of this can be reproduced without the express written consent of the Akron Brass Company.