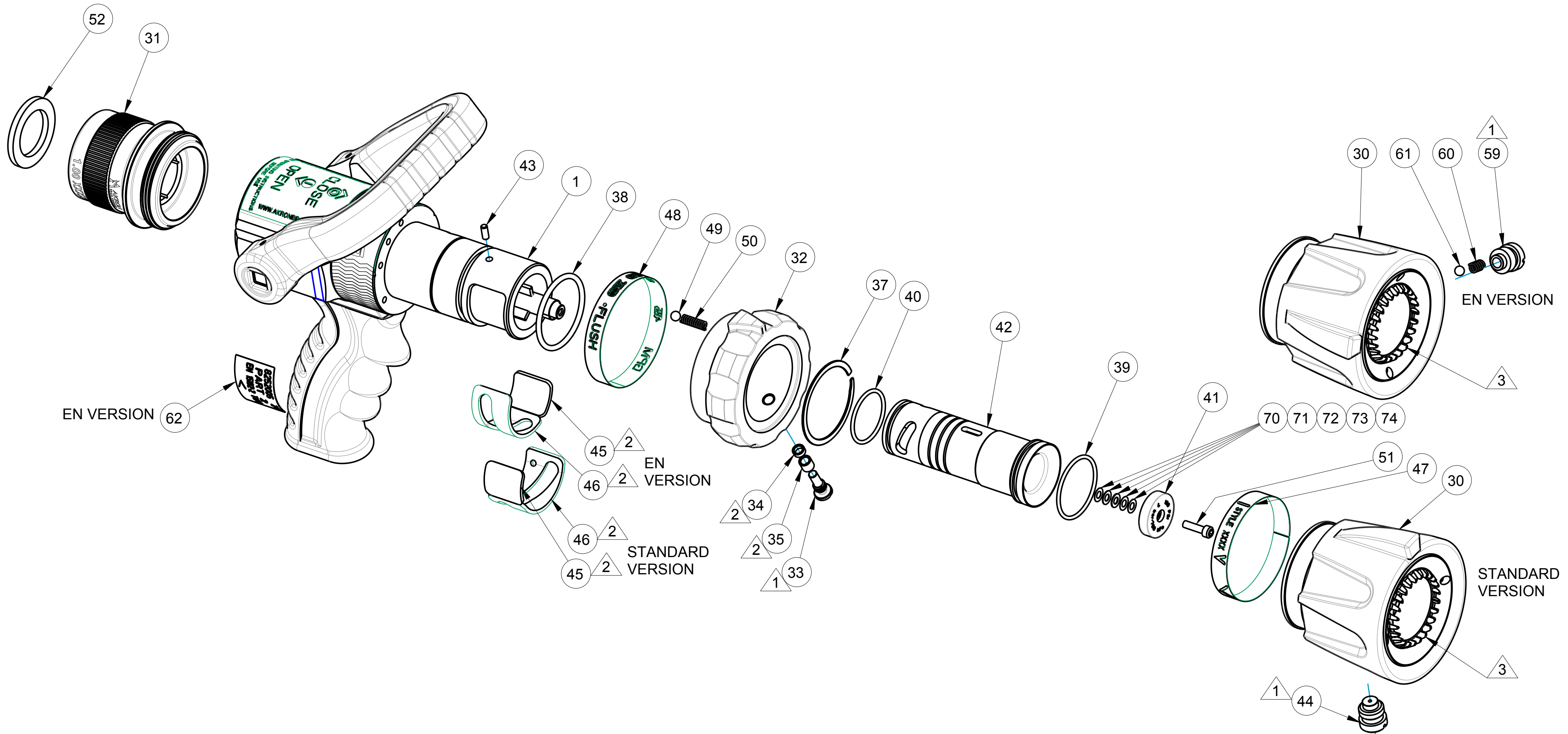


ASSEMBLY NOTES:

USE PARKER O-LUBE ON ALL O-RINGS AND MATING SURFACES UNLESS OTHERWISE NOTED.

- 1 USE PERMABOND LM113 OR LOCTITE 222.
- 2 USE LOW-TEMP LUBRIPLATE.
- 3 DO NOT CUT TURBINE TEETH.
- 5 DIMPLE AT ASSEMBLY.

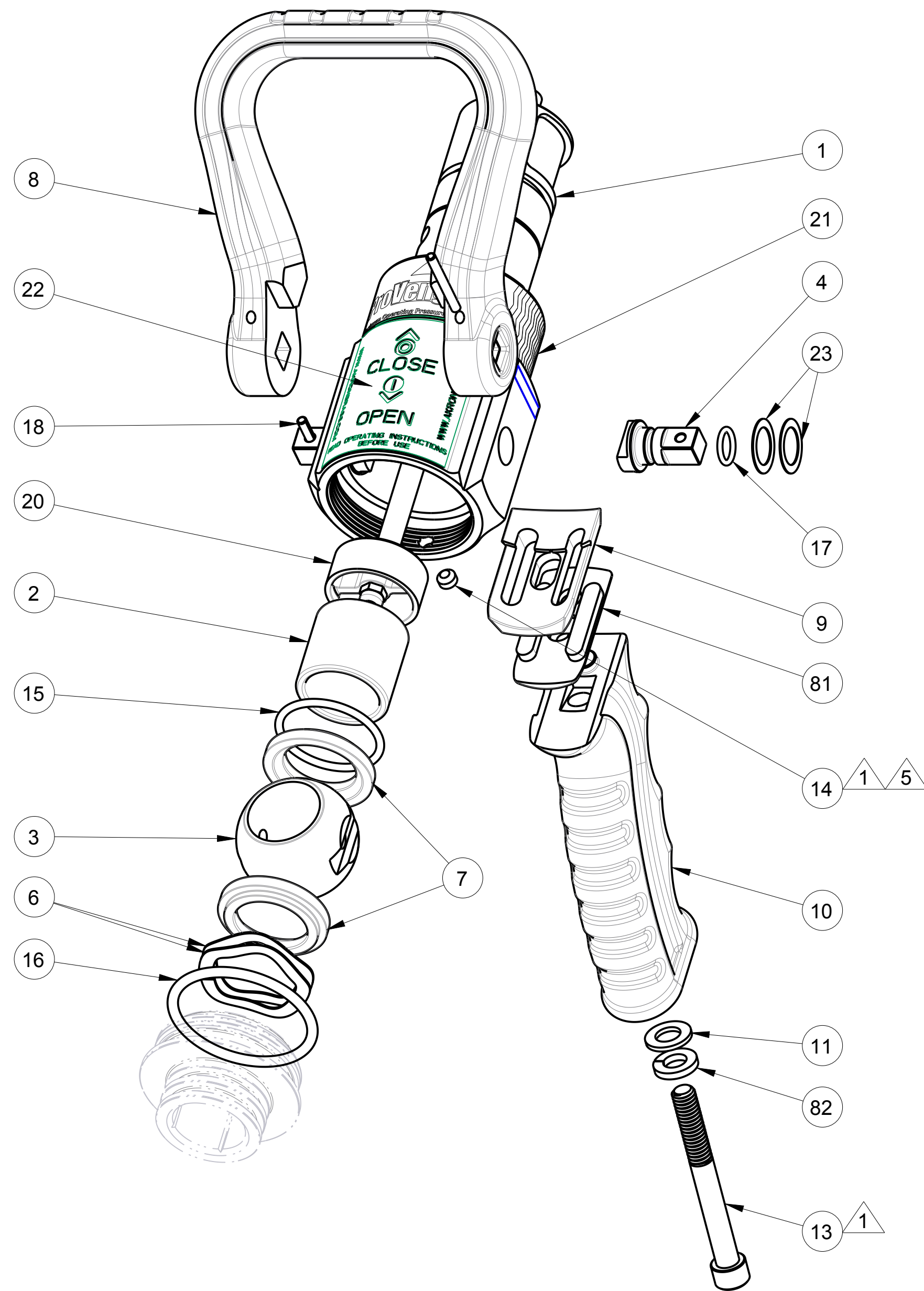


PHONE: 330.264.5678 or 800.228.1161 | FAX: 330.264.2944 or 800.531.7335 | www.akronbrass.com

WARRANTY AND DISCLAIMER*: We warrant Akron Brass products for a period of five (5) years* after purchase against defects in materials or workmanship. Akron Brass will repair or replace product which fails to satisfy this warranty. Repair or replacement shall be at the discretion of Akron Brass. Products must be promptly returned to Akron Brass for warranty service. We will not be responsible for: wear and tear; any improper installation, use, maintenance or storage; negligence of the owner or user; repair or modification after delivery; failure to follow our instructions or recommendations; or anything else beyond our control. WE MAKE NO WARRANTIES, EXPRESS OR IMPLIED, OTHER THAN THOSE INCLUDED IN THIS WARRANTY STATEMENT, AND WE DISCLAIM ANY IMPLIED WARRANTY OF MERCHANTABILITY OR FITNESS FOR ANY PARTICULAR PURPOSE. Further, we will not be responsible for any consequential, incidental or indirect damages (including, but not limited to, any loss of profits) from any cause whatsoever. No person has authority to change this warranty. *Unless otherwise provided herein. Akron Brass industrial electronic components & the Severe-Duty Monitor have a one (1) year warranty. Select Akron Brass handline nozzles and valves carry a ten (10) year warranty. Scene Star Lights carry a (6) year warranty. Weldon products have a two (2) year warranty from date of manufacture (excluding consumable components). Select Weldon LED products carry a five (5) year warranty. Honda products have the manufacturers' warranty and Akron Brass disclaims any warranty in respect of those products.

Parts List Sheet:

127598



ASSEMBLY NOTES:

USE PARKER O-LUBE ON ALL O-RINGS AND MATING SURFACES UNLESS OTHERWISE NOTED.

- ▲1 USE PERMABOND LM113 OR LOCTITE 222.
- ▲2 USE LOW-TEMP LUBRIPLATE.
- ▲3 DO NOT CUT TURBINE TEETH.
- ▲5 DIMPLE AT ASSEMBLY.

PHONE: 330.264.5678 or 800.228.1161 | FAX: 330.264.2944 or 800.531.7335 | www.akronbrass.com

Parts List Sheet:

127598

WARRANTY AND DISCLAIMER*: We warrant Akron Brass products for a period of five (5) years* after purchase against defects in materials or workmanship. Akron Brass will repair or replace product which fails to satisfy this warranty. Repair or replacement shall be at the discretion of Akron Brass. Products must be promptly returned to Akron Brass for warranty service. We will not be responsible for: wear and tear; any improper installation, use, maintenance or storage; negligence of the owner or user; repair or modification after delivery; failure to follow our instructions or recommendations; or anything else beyond our control. WE MAKE NO WARRANTIES, EXPRESS OR IMPLIED, OTHER THAN THOSE INCLUDED IN THIS WARRANTY STATEMENT, AND WE DISCLAIM ANY IMPLIED WARRANTY OF MERCHANTABILITY OR FITNESS FOR ANY PARTICULAR PURPOSE. Further, we will not be responsible for any consequential, incidental or indirect damages (including, but not limited to, any loss of profits) from any cause whatsoever. No person has authority to change this warranty. *Unless otherwise provided herein. Akron Brass industrial electronic components & the Severe-Duty Monitor have a one (1) year warranty. Select Akron Brass handline nozzles and valves carry a ten (10) year warranty. Scene Star Lights carry a (6) year warranty. Weldon products have a two (2) year warranty from date of manufacture (excluding consumable components). Select Weldon LED products carry a five (5) year warranty. Honda products have the manufacturers' warranty and Akron Brass disclaims any warranty in respect of those products.

© 2016 Akron Brass Company. All rights reserved. No portion of this can be reproduced without the express written consent of the Akron Brass Company.



TECHNICAL SERVICE PARTS

STYLE 1602

PRODUCT 1" PROVENGER

IF AN ITEM IS NOTED AS "NOT FIELD REPAIRABLE", OR YOU WISH TO RETURN AN ITEM TO AKRON BRASS FOR SERVICE PLEASE GO ONLINE TO, **ONLINEREPAIR.AKRONBRASS.COM**

| | |
|------|-------|
| Chg. | Date |
| 00 | 01-19 |

| Find | Description | Item | QTY |
|------|---|----------|-----|
| 30 | PATTERN SLEEVE S/A | 16024008 | 1 |
| 31 | ##, B SWIVEL 1.0" NH | - | 1 |
| 32 | RING VOLUME CONTROL | 758340 | 1 |
| 33 | AXLE CAM | 707252 | 1 |
| 34 | ROLLER CAM LOWER | 758210 | 1 |
| 35 | ROLLER CAM UPPER | 758211 | 1 |
| 37 | RETAINER RING | 758334 | 1 |
| 38 | O-RING 2-126 | 757311 | 1 |
| 39 | O-RING 2-025 | 757242 | 1 |
| 40 | O-RING 2-021 | 757344 | 1 |
| 41 | HEAD BAFFLE (100PSI) | 127479 | 1 |
| 41 | HEAD BAFFLE (75PSI) | 127480 | 1 |
| 41 | HEAD BAFFLE (87PSI) | 127481 | 1 |
| 42 | TUBE DISCHARGE (87PSI - 12, 23, 34, 53GPM) | 127593 | 1 |
| 42 | TUBE DISCHARGE (75PSI - 5, 10, 20, 40GPM) | 127594 | 1 |
| 42 | TUBE DISCHARGE (100PSI, 6-40bar - 5, 10, 20, 40GPM) | 127595 | 1 |
| 43 | KEY DISCHARGE | 727034 | 1 |
| 44 | SCREW CAM | 765391 | 1 |
| 45 | CAM SPACER | 770416 | 1 |
| 46 | INSERT CAM GROOVE (1602) | 723068 | 1 |
| 47 | BAND PATTERN INDICATOR (STYLE 1602) | 803133 | 1 |
| 48 | BAND GALLONAGE CONTROL (LPM 45, 85,130,200) | 803139 | 1 |
| 48 | BAND GALLONAGE CONTROL (LPM 19,40,75,150) | 803140 | 1 |
| 48 | BAND GALLONAGE CONTROL (GPM 5,10,15,40) | 803141 | 1 |
| 49 | BALL 3/16" | 704018 | 1 |
| 50 | SPRING DETENT | 769111 | 1 |
| 51 | SCREW SOCKET HEAD CAP 6-32 x 1/2" | 765150 | 1 |
| 52 | A,B GASKET | 717047 | 1 |

| Find | Description | Item | QTY |
|---------------------|---|----------|----------|
| 59 | SCREW CAM (EN VERSION) | 765392 | 1 |
| 60 | SPRING (EN VERSION) | 768448 | 1 |
| 61 | BALL 3/16" (EN VERSION) | 704018 | 1 |
| 62 | LABEL (EN VERSION) 1602 | 729890 | 1 |
| 70 | ** SHIM BAFFLE PLASTIC BLUE | - | AS REQD. |
| 71 | ** SHIM BAFFLE PLASTIC BROWN | - | AS REQD. |
| 72 | ** SHIM BAFFLE PLASTIC PINK | - | AS REQD. |
| 73 | ** SHIM BAFFLE PLASTIC GREEN | - | AS REQD. |
| 74 | ** SHIM BAFFLE PLASTIC TAN | - | AS REQD. |
| | | | |
| A | FIELD SERVICE KIT | 91120001 | |
| | | | |
| SWIVEL SUB ASSEMBLY | | | |
| B | 1" NH | 45104001 | |
| | 1" BSP | 45104002 | |
| | 1" NPSH | 45104003 | |
| | | | |
| C | KIT SERVICE PISTOL GRIP W/COLOR CLIPS | 90040001 | |
| D | KIT SERVICE 1.5" BALE W/COLOR CLIPS | 90060001 | |
| E | KIT SERVICE BALE AND PISTOL GRIP COLOR CLIPS ONLY | 90070001 | |

** INSTALLED AT FACTORY AS NEEDED FOR FINAL FLOW CALIBRATION

FOR OTHER THREADS ORDER BY DESCRIPTION AND THREAD SIZE.

PHONE: 330.264.5678 or 800.228.1161 | FAX: 330.264.2944 or 800.531.7335 | www.akronbrass.com

Parts List Sheet:

127598

WARRANTY AND DISCLAIMER*: We warrant Akron Brass products for a period of five (5) years* after purchase against defects in materials or workmanship. Akron Brass will repair or replace product which fails to satisfy this warranty. Repair or replacement shall be at the discretion of Akron Brass. Products must be promptly returned to Akron Brass for warranty service. We will not be responsible for: wear and tear; any improper installation, use, maintenance or storage; negligence of the owner or user; repair or modification after delivery; failure to follow our instructions or recommendations; or anything else beyond our control. WE MAKE NO WARRANTIES, EXPRESS OR IMPLIED, OTHER THAN THOSE INCLUDED IN THIS WARRANTY STATEMENT, AND WE DISCLAIM ANY IMPLIED WARRANTY OF MERCHANTABILITY OR FITNESS FOR ANY PARTICULAR PURPOSE. Further, we will not be responsible for any consequential, incidental or indirect damages (including, but not limited to, any loss of profits) from any cause whatsoever. No person has authority to change this warranty. *Unless otherwise provided herein. Akron Brass industrial electronic components & the Severe-Duty Monitor have a one (1) year warranty. Select Akron Brass handline nozzles and valves carry a ten (10) year warranty. Scene Star Lights carry a (6) year warranty. Weldon products have a two (2) year warranty from date of manufacture (excluding consumable components). Select Weldon LED products carry a five (5) year warranty. Honda products have the manufacturers' warranty and Akron Brass disclaims any warranty in respect of those products.

© 2016 Akron Brass Company. All rights reserved. No portion of this can be reproduced without the express written consent of the Akron Brass Company.



TECHNICAL SERVICE PARTS

STYLE 1602

PRODUCT 1" PROVENGER

IF AN ITEM IS NOTED AS "NOT FIELD REPAIRABLE", OR YOU WISH TO RETURN AN ITEM TO AKRON BRASS FOR SERVICE PLEASE GO ONLINE TO, **ONLINEREPAIR.AKRONBRASS.COM**

| | |
|------|-------|
| Chg. | Date |
| 00 | 01-19 |

| Find | | Description | Item | QTY |
|------|---|--|--------|-----|
| 1 | | SHUTOFF BODY | 127597 | 1 |
| 2 | | SEAT SPACER | 770417 | 1 |
| 3 | A | BALL 1" | 704490 | 1 |
| 4 | | TRUNNION | 127429 | 2 |
| 6 | A | SPRING | 768272 | 2 |
| 7 | A | SEAT NOZZLE | 769245 | 2 |
| 8 | | HANDLE SHUTOFF BLACK | 721760 | 1 |
| 9 | | SPACER PISTOL GRIP | 770415 | 1 |
| 10 | | GRIP PISTOL BLACK | 718330 | 1 |
| 11 | | WASHER FLAT 5/16 | 784093 | 1 |
| 13 | | SCREW SOCKET HEAD CAP 5/16-18 x 2 3/4" | 765397 | 1 |
| 14 | | SCREW ALLEN HEAD SET 1/4-20 x 3/16" | 765008 | 1 |
| 15 | A | O-RING 2-125 | 757281 | 1 |
| 16 | A | O-RING 2-225 | 757375 | 1 |
| 17 | A | O-RING 2-012 | 757282 | 2 |
| 18 | A | PIN ROLL 1/8 x 1 1/8" | 744080 | 2 |
| 19 | | O-RING 2-223 (JIM/BIM) | 757256 | 1 |
| 20 | | SPIDER/STEM S/A | 125218 | 1 |
| 21 | | BAND ID | 803135 | 1 |
| 22 | | LABEL OPEN/CLOSE | 729803 | 1 |
| 23 | A | SHIM | 769351 | 4 |
| 81 | | SPACER PISTOL GRIP | 770480 | 1 |
| 82 | | LOCK WASHER 5/16" | 784090 | 1 |

** INSTALLED AT FACTORY AS NEEDED FOR FINAL FLOW CALIBRATION

FOR OTHER THREADS ORDER BY DESCRIPTION AND THREAD SIZE.

PHONE: 330.264.5678 or 800.228.1161 | FAX: 330.264.2944 or 800.531.7335 | www.akronbrass.com

Parts List Sheet:

127598

WARRANTY AND DISCLAIMER*: We warrant Akron Brass products for a period of five (5) years* after purchase against defects in materials or workmanship. Akron Brass will repair or replace product which fails to satisfy this warranty. Repair or replacement shall be at the discretion of Akron Brass. Products must be promptly returned to Akron Brass for warranty service. We will not be responsible for: wear and tear; any improper installation, use, maintenance or storage; negligence of the owner or user; repair or modification after delivery; failure to follow our instructions or recommendations; or anything else beyond our control. WE MAKE NO WARRANTIES, EXPRESS OR IMPLIED, OTHER THAN THOSE INCLUDED IN THIS WARRANTY STATEMENT, AND WE DISCLAIM ANY IMPLIED WARRANTY OF MERCHANTABILITY OR FITNESS FOR ANY PARTICULAR PURPOSE. Further, we will not be responsible for any consequential, incidental or indirect damages (including, but not limited to, any loss of profits) from any cause whatsoever. No person has authority to change this warranty. *Unless otherwise provided herein. Akron Brass industrial electronic components & the Severe-Duty Monitor have a one (1) year warranty. Select Akron Brass handline nozzles and valves carry a ten (10) year warranty. Scene Star Lights carry a (6) year warranty. Weldon products have a two (2) year warranty from date of manufacture (excluding consumable components). Select Weldon LED products carry a five (5) year warranty. Honda products have the manufacturers' warranty and Akron Brass disclaims any warranty in respect of those products.
© 2016 Akron Brass Company. All rights reserved. No portion of this can be reproduced without the express written consent of the Akron Brass Company.