

**MISUTONIDA**  
italian style accessories **4x4**

## **OPEL MOKKA 2012**



Item Code

**: EC/MED/318/IX**

Codice Articolo

**EC/MED/K/318/IX**

Référence Article

**GB**

STAINLESS STEEL  
EC APPROVED MEDIUM BAR

**ITA**

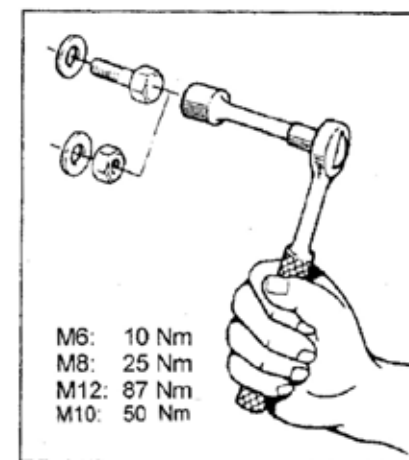
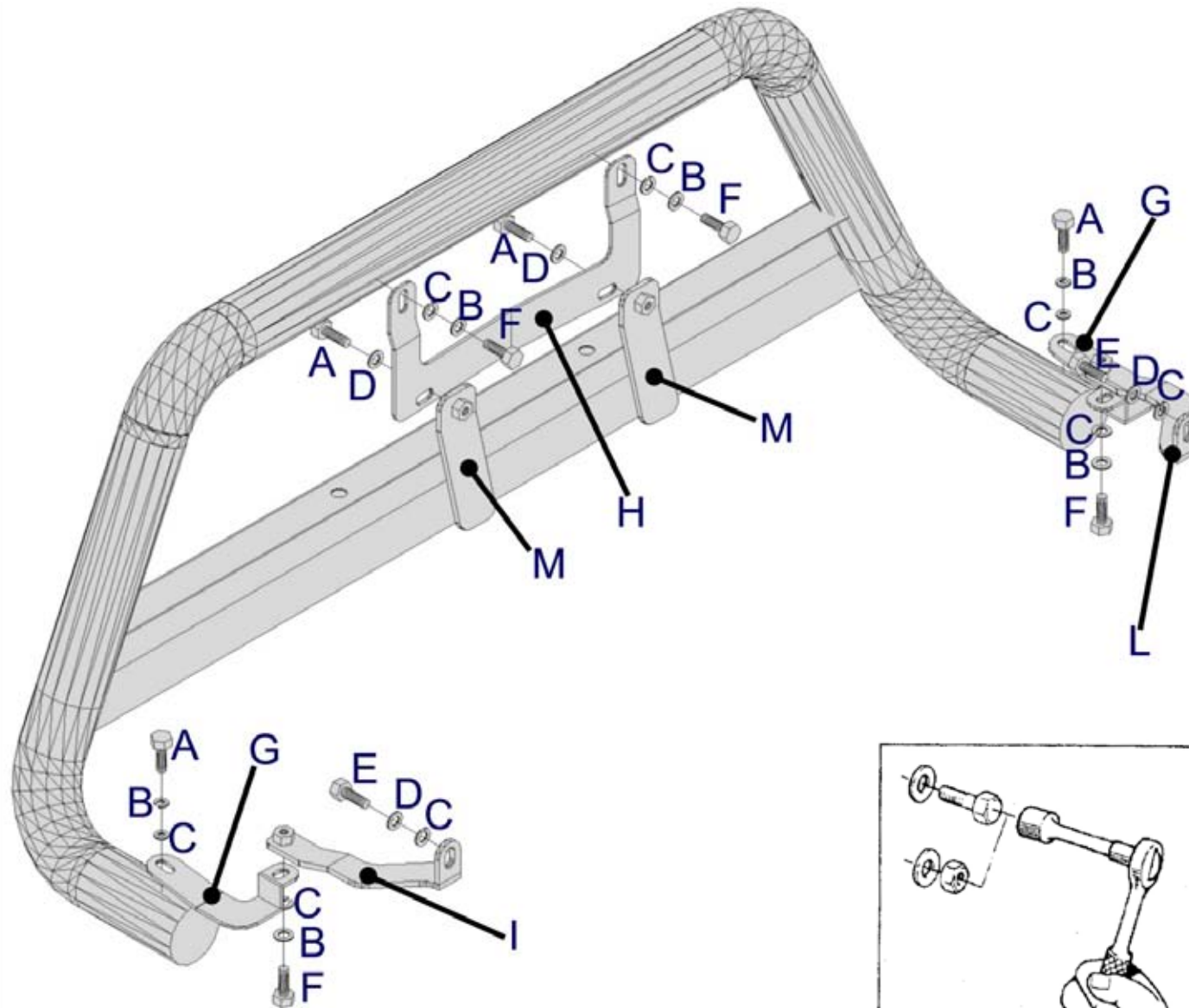
MEDIUM BAR OMOLOGATO  
IN ACCIAIO INOX

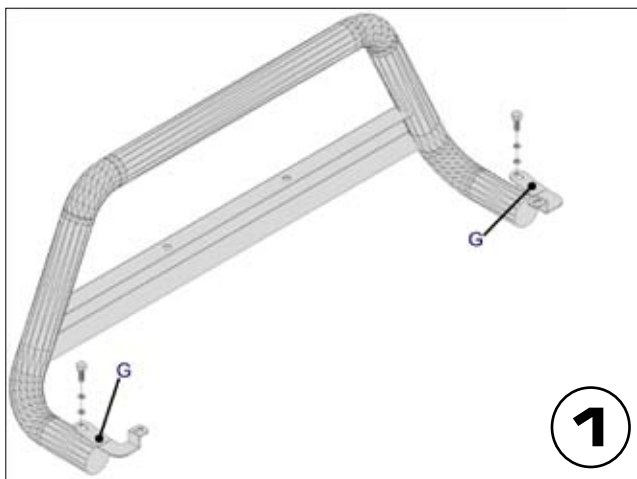
**FR**

MEDIUM BAR HOMOLOGATED  
EN ACCIER INOX

# OPEL MOKKA 2012

Part List	
Lista della bulloneria	
Liste des pièces	
<b>A</b>	<b>TE 8x20</b> x 4
<b>B</b>	<b>Ø 8</b> x 6
<b>C</b>	<b>Ø 8</b> x 10
<b>D</b>	<b>Ø 8</b> <b>BIG</b> x 4
<b>E</b>	<b>TE 8x25</b> x 2
<b>F</b>	<b>TE 8x30</b> x 2
<b>G</b>	<b>SM/318/A</b> x 2
<b>H</b>	<b>SM/318/B</b> x 1
<b>I</b>	<b>SM/318/C</b> x 1
<b>L</b>	<b>SM/318/D</b> x 1
<b>M</b>	<b>SM/318/E</b> x 2
	<b>Cappelletti M8</b> x 4



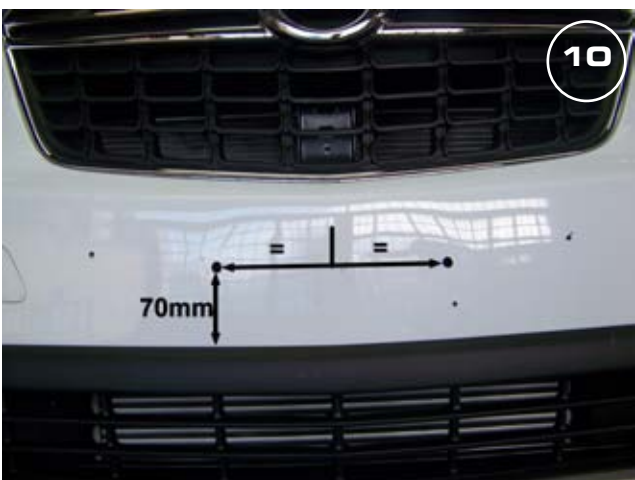
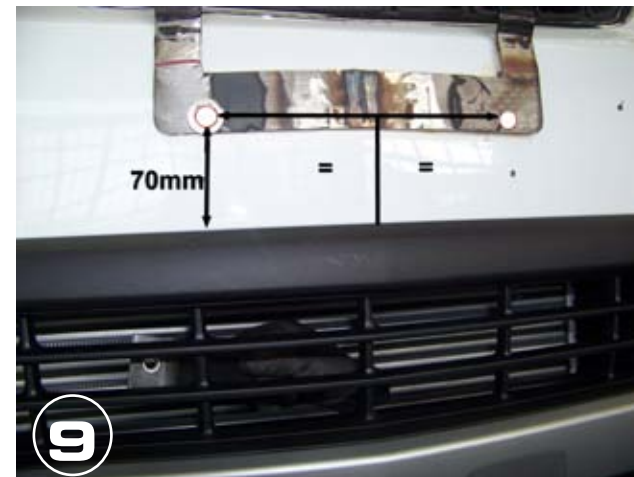


Date Data Date	Item Code Cod.Articolo Réf. Article	Vehicle model Modello Veicolo Modèle de Voiture
19/02/13	EC/MED/318/IX EC/MED/K/318/IX	OPEL MOKKA 2012

**MISUTONIDA**  
italian style accessories **4x4**

Document checked and approved by  
**Documento controllato ed approvato da**  
 Document controlé et approuvé par

**BOTTA PIETRO**



Date Data Date	Item Code Cod.Articolo Réf. Article	Vehicle model Modello Veicolo Modèle de Voiture
19/02/13	EC/MED/318/IX EC/MED/K/318/IX	OPEL MOKKA 2012



Document checked and approved by  
**Documento controllato ed approvato da**  
 Document controlé et approuvé par

**BOTTA PIETRO**



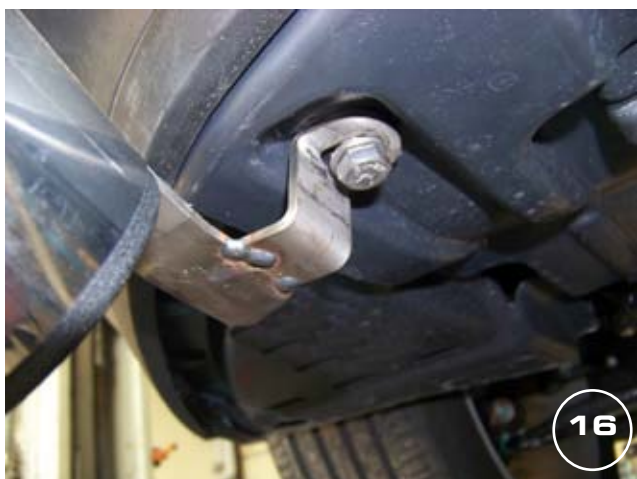
13



14



15



16



17



18

Date Data Date	Item Code Cod.Articolo Réf. Article	Vehicle model Modello Veicolo Modèle de Voiture
19/02/13	EC/MED/318/IX EC/MED/K/318/IX	OPEL MOKKA 2012

**MISUTONIDA**  
italian style accessories **4x4**

Document checked and approved by  
**Documento controllato ed approvato da**  
*Document contrôlé et approuvé par*

**BOTTA PIETRO**